



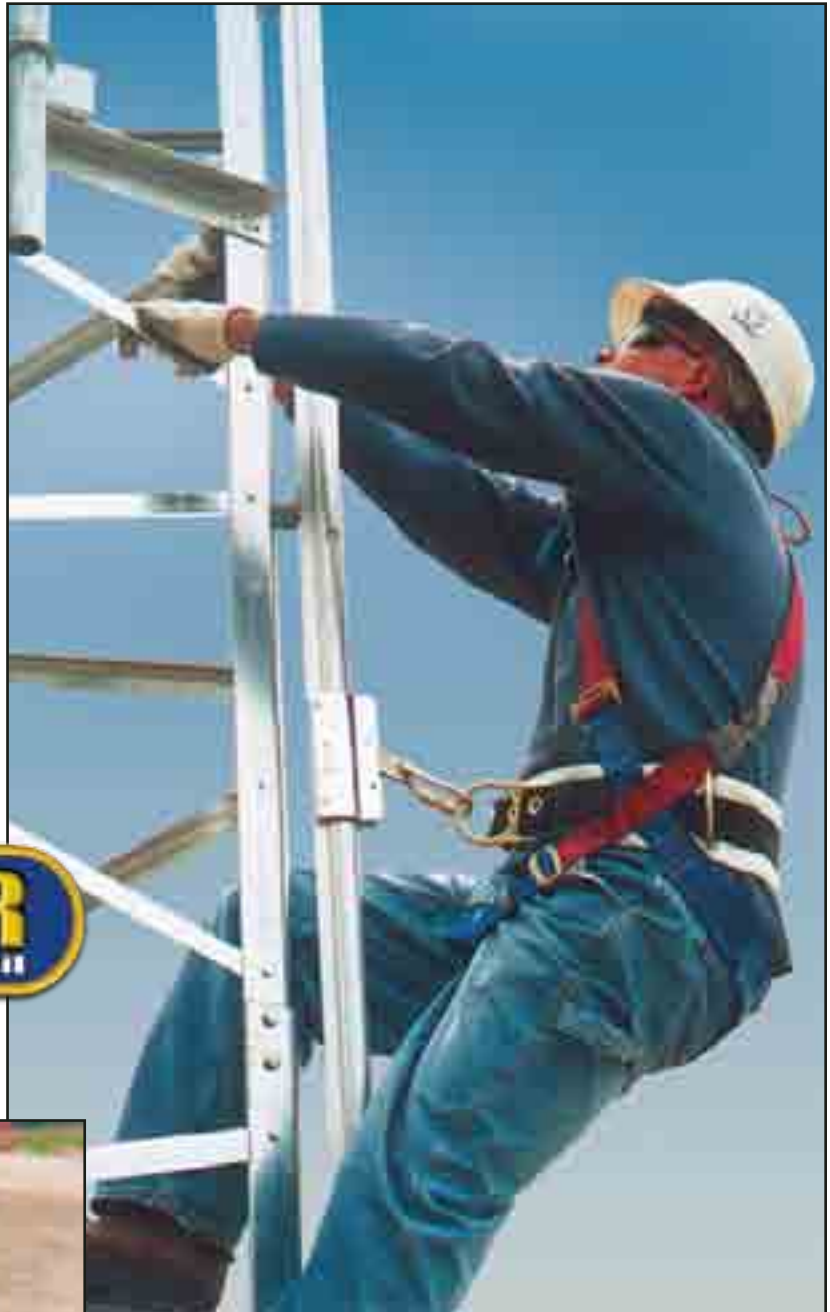
- .. Free-standing TITAN™ Self-Support Towers need only minimal footprint area
- .. Heights ranging from 24 ft. (7.3 m) to 96 ft. (28.8 m)
- .. Lightweight, commercial-duty
- .. Ideal for ISP and SCADA
- .. Survives up to 100mph, depending on height and model



# TITAN Tower Fall Protection

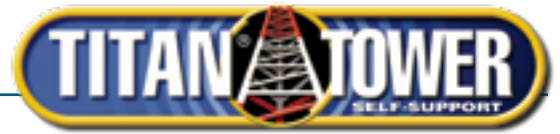
Don't forget about a safety rail fall protection system when selecting *your* TITAN tower.

- CSA-certified fall arrest system
- Helps prevent death or serious injury in event of a fall
- Smooth-riding trolley
- Reverse-orientation SafetyLok™ feature
- Designed for the TITAN® tower
- Strong, tubular, rigid rail



Installs on one TITAN tower leg.

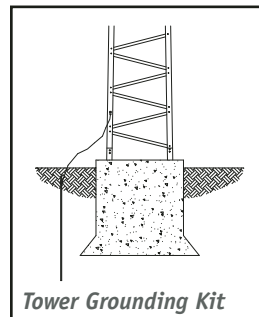
# 16' Towers



Model Designation:		T200	T300	T400	T500	T600	T700	T800
Part Number:		4.95.0201.000	4.95.0301.000	4.95.0401.000	4.95.0501.000	4.95.0601.000	4.95.0701.000	4.95.0801.000
Includes 4' anchor stub legs for concrete, splice hardware, 8' antenna mounting pipe, angle frames, and u-bolt assembly in top section.								
Allowable antenna area in ft <sup>2</sup> at 70/85/100 mph wind*	Survival no ice	Round: 16/9/4 Flat: 11/6/3	Round: 28/16/9 Flat: 19/11/6	Round: 39/24/15 Flat: 26/16/10	Round: 64/41/27 Flat: 43/27/18	Round: 87/55/36 Flat: 58/36/24	Round: 108/69/47 Flat: 72/46/31	Round: 132/86/58 Flat: 88/57/38
	Survival 1/2" ice	Round: 2/--/-- Flat: 1/--/--	Round: 3/--/-- Flat: 2/--/--	Round: 10/--/-- Flat: 6/--/--	Round: 24/1/-- Flat: 16/1/--	Round: 36/6/-- Flat: 24/4/--	Round: 60/18/2 Flat: 45/12/1	Round: 80/32/6 Flat: 53/21/4
Suggested List Price		<b>\$627.00</b>	<b>\$688.00</b>	<b>\$749.00</b>	<b>\$826.00</b>	<b>\$918.00</b>	<b>\$1,013.00</b>	<b>\$1,158.00</b>
Shipping Dimensions (L"xW"xH")		101x40x17	101x40x20	101x40x22	101x40x26	101x40x32	101x50x36	101x60x38
Shipping Weight (lbs)		189	210	233	264	294	320	363

\*Based on the antenna load being centrally located and balanced 3' or less above the tower top ("--" indicates tower failure).

## Common Accessories



Accessory:	T200	T300	T400	T500	T600	T700	T800
<b>Safety Rail System</b> <i>with trolley and karabiner</i>	4.97.0500.216 <b>\$648.00</b>	4.97.0500.316 <b>\$648.00</b>	4.97.0500.416 <b>\$648.00</b>	4.97.0500.516 <b>\$648.00</b>	4.97.0500.616 <b>\$648.00</b>	4.97.0500.716 <b>\$648.00</b>	4.97.0500.816 <b>\$648.00</b>
<b>Anti-Climb Shield</b> <i>set of 3</i>	N/A	4.92.0104.000 <b>\$424.00</b>	4.92.0105.000 <b>\$424.00</b>	4.92.0106.000 <b>\$429.00</b>	4.92.0107.000 <b>\$429.00</b>	4.92.0108.000 <b>\$473.00</b>	4.92.0109.000 <b>\$473.00</b>
<b>Tower Grounding Kit</b> <i>with #6 copper wire</i>	4.91.0101.000 <b>\$146.00</b>	4.91.0101.000 <b>\$146.00</b>	4.91.0101.000 <b>\$146.00</b>	4.91.0101.000 <b>\$146.00</b>	4.91.0101.000 <b>\$146.00</b>	4.91.0101.000 <b>\$146.00</b>	4.91.0101.000 <b>\$146.00</b>
<b>Side Mount (Top Section)</b> <i>with 2 angle frames, clip angles, u-bolt assemblies, and 6' pipe</i>	4.84.1141.000 <b>\$151.00</b>	4.84.1142.000 <b>\$151.00</b>	4.84.1151.000 <b>\$162.00</b>	4.84.1152.000 <b>\$162.00</b>	4.84.1161.000 <b>\$175.00</b>	4.84.1162.000 <b>\$175.00</b>	4.84.1171.000 <b>\$187.00</b>
<i>For more Antenna Side Mount Kits, see accessories page 16.</i>							
<b>Base Foot Weldments</b> <i>set of 3</i>	4.82.0104.000 <b>\$293.00</b>	4.82.0105.000 <b>\$293.00</b>	4.82.0106.000 <b>\$439.00</b>	4.82.0107.000 <b>\$439.00</b>	4.82.0108.000 <b>\$439.00</b>	4.82.0109.000 <b>\$439.00</b>	4.82.0110.000 <b>\$547.00</b>
<b>Rock Bolts</b> <i>with nuts &amp; flat washers 3-pak</i>	4.80.0100.100 <b>\$243.00</b>	4.80.0100.100 <b>\$243.00</b>	4.80.0100.100 <b>\$243.00</b>	4.80.0100.100 <b>\$243.00</b>	4.80.0100.100 <b>\$243.00</b>	4.80.0100.100 <b>\$243.00</b>	4.80.0102.100 <b>\$407.00</b>
<b>Lighting Kits</b> <i>with cable</i>	4.93.0102.000 <b>\$1,220.00</b>	4.93.0102.000 <b>\$1,220.00</b>	4.93.0102.000 <b>\$1,220.00</b>	4.93.0102.000 <b>\$1,220.00</b>	4.93.0102.000 <b>\$1,220.00</b>	4.93.0102.000 <b>\$1,220.00</b>	4.93.0102.000 <b>\$1,220.00</b>

For more TITAN Accessories and Replacement Parts, see pages 15 to 24.

Model Designation:		T200	T300	T400	T500	T600	T700	T800
Part Number:		4.95.0202.000	4.95.0302.000	4.95.0402.000	4.95.0502.000	4.95.0602.000	4.95.0702.000	4.95.0802.000
Includes 4' anchor stub legs for concrete, splice hardware, 8' antenna mounting pipe, angle frames, and u-bolt assembly in top section.								
Allowable antenna area in ft <sup>2</sup> at 70/85/100 mph wind*	Survival no ice	Round: 16/8/3 Flat: 11/6/2	Round: 24/12/5 Flat: 16/8/3	Round: 39/23/14 Flat: 26/15/9	Round: 60/36/21 Flat: 40/24/14	Round: 76/46/29 Flat: 51/31/19	Round: 94/58/37 Flat: 63/38/24	Round: 131/85/57 Flat: 88/56/38
	Survival 1/2" ice	Round: 2/--/-- Flat: 1/--/--	Round: 3/--/-- Flat: 2/--/--	Round: 10/--/-- Flat: 6/--/--	Round: 24/1/-- Flat: 16/1/--	Round: 36/6/-- Flat: 24/4/--	Round: 60/18/2 Flat: 45/12/1	Round: 80/32/6 Flat: 53/21/4
Suggested List Price		<b>\$864.00</b>	<b>\$937.00</b>	<b>\$1,050.00</b>	<b>\$1,154.00</b>	<b>\$1,273.00</b>	<b>\$1,448.00</b>	<b>\$1,724.00</b>
Shipping Dimensions (L"xW"xH")		101x40x20	101x40x22	101x40x26	101x48x32	101x50x36	101x60x38	101x60x40
Shipping Weight (lbs)		234	259	302	340	379	433	516

\*Based on the antenna load being centrally located and balanced 3' or less above the tower top ("--" indicates tower failure).

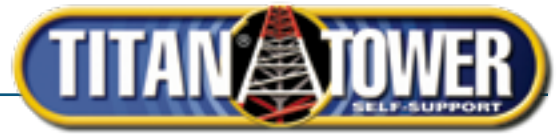
## Common Accessories



Accessory:	T200	T300	T400	T500	T600	T700	T800
<b>Safety Rail System</b> with trolley and karabiner	4.97.0500.224 <b>\$756.00</b>	4.97.0500.324 <b>\$756.00</b>	4.97.0500.424 <b>\$756.00</b>	4.97.0500.524 <b>\$756.00</b>	4.97.0500.624 <b>\$756.00</b>	4.97.0500.724 <b>\$756.00</b>	4.97.0500.824 <b>\$756.00</b>
<b>Anti-Climb Shield</b> set of 3	4.92.0104.000 <b>\$424.00</b>	4.92.0105.000 <b>\$424.00</b>	4.92.0106.000 <b>\$429.00</b>	4.92.0107.000 <b>\$429.00</b>	4.92.0108.000 <b>\$473.00</b>	4.92.0109.000 <b>\$473.00</b>	4.92.0110.000 <b>\$517.00</b>
<b>Tower Grounding Kit</b> with #6 copper wire	4.91.0101.000 <b>\$146.00</b>	4.91.0101.000 <b>\$146.00</b>	4.91.0101.000 <b>\$146.00</b>	4.91.0101.000 <b>\$146.00</b>	4.91.0101.000 <b>\$146.00</b>	4.91.0101.000 <b>\$146.00</b>	4.91.0101.000 <b>\$146.00</b>
<b>Side Mount (Top Section)</b> with 2 angle frames, clip angles, u-bolt assemblies, and 6' pipe	4.84.1141.000 <b>\$151.00</b>	4.84.1142.000 <b>\$151.00</b>	4.84.1151.000 <b>\$162.00</b>	4.84.1152.000 <b>\$162.00</b>	4.84.1161.000 <b>\$175.00</b>	4.84.1162.000 <b>\$175.00</b>	4.84.1171.000 <b>\$187.00</b>
<i>For more Antenna Side Mount Kits, see accessories page 16.</i>							
<b>Base Foot Weldments</b> set of 3	4.82.0105.000 <b>\$293.00</b>	4.82.0106.000 <b>\$439.00</b>	4.82.0107.000 <b>\$439.00</b>	4.82.0108.000 <b>\$439.00</b>	4.82.0109.000 <b>\$439.00</b>	4.82.0110.000 <b>\$547.00</b>	4.82.0111.000 <b>\$547.00</b>
<b>Rock Bolts</b> with nuts & flat washers 3-pak	4.80.0100.100 <b>\$243.00</b>	4.80.0100.100 <b>\$243.00</b>	4.80.0100.100 <b>\$243.00</b>	4.80.0100.100 <b>\$243.00</b>	4.80.0100.100 <b>\$243.00</b>	4.80.0102.100 <b>\$407.00</b>	4.80.0102.100 <b>\$407.00</b>
<b>Lighting Kits</b> with cable	4.93.0103.000 <b>\$1,238.00</b>	4.93.0103.000 <b>\$1,238.00</b>	4.93.0103.000 <b>\$1,238.00</b>	4.93.0103.000 <b>\$1,238.00</b>	4.93.0103.000 <b>\$1,238.00</b>	4.93.0103.000 <b>\$1,238.00</b>	4.93.0103.000 <b>\$1,238.00</b>

For more TITAN Accessories and Replacement Parts, see pages 15 to 24.

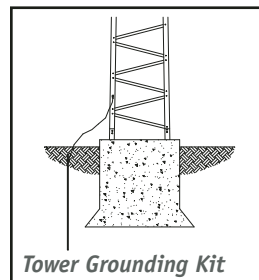
# 32' Towers



Model Designation:		T200	T300	T400	T500	T600	T700	T800
Part Number:		4.95.0203.000	4.95.0303.000	4.95.0403.000	4.95.0503.000	4.95.0603.000	4.95.0703.000	4.95.0803.000
Includes 4' anchor stub legs for concrete, splice hardware, 8' x 1.9"OD antenna mounting pipe.  Tower height shown is nominal. Actual tower height is achieved using support pipe provided with tower.								
Allowable antenna area in ft <sup>2</sup> at 70/85/100 mph wind*	Survival no ice	Round: 16/6/-- Flat: 10/4/--	Round: 24/13/6 Flat: 16/9/4	Round: 39/24/12 Flat: 26/16/8	Round: 56/32/17 Flat: 38/21/11	Round: 70/40/23 Flat: 47/27/15	Round: 95/59/37 Flat: 63/39/25	Round: 132/86/57 Flat: 88/57/38
	Survival 1/2" ice	Round: 2/--/-- Flat: 1/--/--	Round: 3/--/-- Flat: 2/--/--	Round: 10/--/-- Flat: 6/--/--	Round: 24/1/-- Flat: 16/1/--	Round: 36/6/-- Flat: 24/4/--	Round: 60/18/2 Flat: 45/12/1	Round: 80/32/6 Flat: 53/21/4
Suggested List Price		<b>\$1,113.00</b>	<b>\$1,238.00</b>	<b>\$1,379.00</b>	<b>\$1,509.00</b>	<b>\$1,709.00</b>	<b>\$2,015.00</b>	<b>\$2,323.00</b>
Shipping Dimensions (L"xW"xH")		101x40x22	101x40x26	101x48x32	101x50x36	101x60x38	101x60x40	101x64x42
Shipping Weight (lbs)		283	328	377	425	493	587	675

\*Based on the antenna load being centrally located and balanced 3' or less above the tower top ("--" indicates tower failure).

## Common Accessories



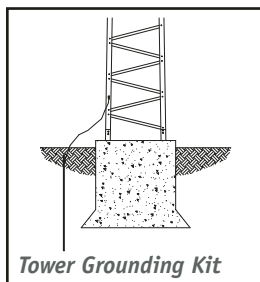
Accessory:	T200	T300	T400	T500	T600	T700	T800
<b>Safety Rail System</b> with trolley and karabiner	4.97.0500.232 <b>\$864.00</b>	4.97.0500.332 <b>\$864.00</b>	4.97.0500.432 <b>\$864.00</b>	4.97.0500.532 <b>\$864.00</b>	4.97.0500.632 <b>\$864.00</b>	4.97.0500.732 <b>\$864.00</b>	4.97.0500.832 <b>\$864.00</b>
<b>Anti-Climb Shield</b> set of 3	4.92.0105.000 <b>\$424.00</b>	4.92.0106.000 <b>\$429.00</b>	4.92.0107.000 <b>\$429.00</b>	4.92.0108.000 <b>\$473.00</b>	4.92.0109.000 <b>\$473.00</b>	4.92.0110.000 <b>\$517.00</b>	4.92.0111.000 <b>\$517.00</b>
<b>Tower Grounding Kit</b> with #6 copper wire	4.91.0101.000 <b>\$146.00</b>	4.91.0101.000 <b>\$146.00</b>	4.91.0101.000 <b>\$146.00</b>	4.91.0101.000 <b>\$146.00</b>	4.91.0101.000 <b>\$146.00</b>	4.91.0101.000 <b>\$146.00</b>	4.91.0101.000 <b>\$146.00</b>
<b>Side Mount (Top Section)</b> with 2 angle frames, clip angles, u-bolt assemblies, and 6' pipe	4.84.1141.000 <b>\$151.00</b>	4.84.1142.000 <b>\$151.00</b>	4.84.1151.000 <b>\$162.00</b>	4.84.1152.000 <b>\$162.00</b>	4.84.1161.000 <b>\$175.00</b>	4.84.1162.000 <b>\$175.00</b>	4.84.1171.000 <b>\$187.00</b>
For more Antenna Side Mount Kits, see accessories page 16.							
<b>Base Foot Weldments</b> set of 3	4.82.0106.000 <b>\$439.00</b>	4.82.0107.000 <b>\$439.00</b>	4.82.0108.000 <b>\$439.00</b>	4.82.0109.000 <b>\$439.00</b>	4.82.0110.000 <b>\$547.00</b>	4.82.0111.000 <b>\$547.00</b>	4.82.0112.000 <b>\$547.00</b>
<b>Rock Bolts</b> with nuts & flat washers 3-pak	4.80.0100.100 <b>\$243.00</b>	4.80.0100.100 <b>\$243.00</b>	4.80.0100.100 <b>\$243.00</b>	4.80.0100.100 <b>\$243.00</b>	4.80.0102.100 <b>\$407.00</b>	4.80.0102.100 <b>\$407.00</b>	4.80.0102.100 <b>\$407.00</b>

For more TITAN Accessories and Replacement Parts, see pages 15 to 24.

Model Designation:		T200	T300	T400	T500	T600	T700	T800
Part Number:		4.95.0204.000	4.95.0304.000	4.95.0404.000	4.95.0504.000	4.95.0604.000	4.95.0704.000	4.95.0804.000
<p>Includes 4' anchor stub legs for concrete, splice hardware, 8' x 1.9"OD antenna mounting pipe.</p> <p>Tower height shown is nominal. Actual tower height is achieved using support pipe provided with tower.</p>								
Allowable antenna area in ft <sup>2</sup> at 70/85/100 mph wind*	Survival no ice	Round: 16/6/-- Flat: 10/4/--	Round: 25/13/4 Flat: 17/9/3	Round: 40/20/8 Flat: 27/14/5	Round: 52/27/12 Flat: 35/18/8	Round: 70/40/23 Flat: 47/27/15	Round: 95/59/37 Flat: 64/39/25	Round: 132/79/47 Flat: 88/53/32
	Survival 1/2" ice	Round: 2/--/-- Flat: 1/--/--	Round: 3/--/-- Flat: 2/--/--	Round: 10/--/-- Flat: 6/--/--	Round: 24/1/-- Flat: 16/1/--	Round: 36/6/-- Flat: 24/4/--	Round: 60/18/2 Flat: 45/12/1	Round: 80/32/6 Flat: 53/21/4
Suggested List Price		<b>\$1,414.00</b>	<b>\$1,567.00</b>	<b>\$1,733.00</b>	<b>\$1,945.00</b>	<b>\$2,275.00</b>	<b>\$2,614.00</b>	<b>\$2,944.00</b>
Shipping Dimensions (L"xW"xH")		101x40x26	101x48x32	101x50x36	101x60x38	101x60x40	101x64x42	101x67x45
Shipping Weight (lbs)		352	403	463	538	647	743	833

\*Based on the antenna load being centrally located and balanced 3" or less above the tower top ("--" indicates tower failure).

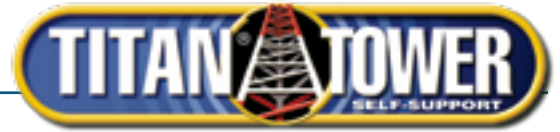
## Common Accessories



Accessory:	T200	T300	T400	T500	T600	T700	T800
<b>Safety Rail System</b> <i>with trolley and karabiner</i>	4.97.0500.240 <b>\$972.00</b>	4.97.0500.340 <b>\$972.00</b>	4.97.0500.440 <b>\$972.00</b>	4.97.0500.540 <b>\$972.00</b>	4.97.0500.640 <b>\$972.00</b>	4.97.0500.740 <b>\$972.00</b>	4.97.0500.840 <b>\$972.00</b>
<b>Anti-Climb Shield</b> <i>set of 3</i>	4.92.0106.000 <b>\$429.00</b>	4.92.0107.000 <b>\$429.00</b>	4.92.0108.000 <b>\$473.00</b>	4.92.0109.000 <b>\$473.00</b>	4.92.0110.000 <b>\$517.00</b>	4.92.0111.000 <b>\$517.00</b>	4.92.0112.000 <b>\$561.00</b>
<b>Tower Grounding Kit</b> <i>with #6 copper wire</i>	4.91.0101.000 <b>\$146.00</b>	4.91.0101.000 <b>\$146.00</b>	4.91.0101.000 <b>\$146.00</b>	4.91.0101.000 <b>\$146.00</b>	4.91.0101.000 <b>\$146.00</b>	4.91.0101.000 <b>\$146.00</b>	4.91.0101.000 <b>\$146.00</b>
<b>Side Mount (Top Section)</b> <i>with 2 angle frames, clip angles, u-bolt assemblies, and 6' pipe</i>	4.84.1141.000 <b>\$151.00</b>	4.84.1142.000 <b>\$151.00</b>	4.84.1151.000 <b>\$162.00</b>	4.84.1152.000 <b>\$162.00</b>	4.84.1161.000 <b>\$175.00</b>	4.84.1162.000 <b>\$175.00</b>	4.84.1171.000 <b>\$187.00</b>
<i>For more Antenna Side Mount Kits, see accessories page 16.</i>							
<b>Base Foot Weldments</b> <i>set of 3</i>	4.82.0107.000 <b>\$439.00</b>	4.82.0108.000 <b>\$439.00</b>	4.82.0109.000 <b>\$439.00</b>	4.82.0110.000 <b>\$547.00</b>	4.82.0111.000 <b>\$547.00</b>	4.82.0112.000 <b>\$547.00</b>	4.82.0113.000 <b>\$547.00</b>

For more TITAN Accessories and Replacement Parts, see pages 15 to 24.

# 48' Towers



Model Designation:		T200	T300	T400	T500	T600	T700	T800
Part Number:		4.95.0205.000	4.95.0305.000	4.95.0405.000	4.95.0505.000	4.95.0605.000	4.95.0705.000	4.95.0805.000
Includes 4' anchor stub legs for concrete, splice hardware, 8' x 1.9"OD antenna mounting pipe.  Tower height shown is nominal. Actual tower height is achieved using support pipe provided with tower.								
Allowable antenna area in ft <sup>2</sup> at 70/85/100 mph wind*	Survival no ice	Round: 16/6/-- Flat: 10/4/--	Round: 25/11/1 Flat: 17/8/1	Round: 37/17/4 Flat: 25/11/3	Round: 50/27/12 Flat: 34/18/8	Round: 67/40/23 Flat: 45/27/15	Round: 95/59/32 Flat: 64/39/21	Round: 126/72/40 Flat: 84/48/27
	Survival 1/2" ice	Round: 2/--/-- Flat: 1/--/--	Round: 3/--/-- Flat: 2/--/--	Round: 10/--/-- Flat: 6/--/--	Round: 24/1/-- Flat: 16/1/--	Round: 36/6/-- Flat: 24/4/--	Round: 60/18/2 Flat: 45/12/1	Round: 80/32/6 Flat: 53/21/4
Suggested List Price		<b>\$1,742.00</b>	<b>\$1,921.00</b>	<b>\$2,169.00</b>	<b>\$2,512.00</b>	<b>\$2,874.00</b>	<b>\$3,235.00</b>	<b>\$3,699.00</b>
Shipping Dimensions (L"xW"xH")		101x48x32	101x50x36	101x60x38	101x60x40	101x64x42	101x67x45	101x75x49
Shipping Weight (lbs)		427	489	577	692	803	904	1,044

\*Based on the antenna load being centrally located and balanced 3' or less above the tower top ("--" indicates tower failure).

## Common Accessories

Accessory:	T200	T300	T400	T500	T600	T700	T800
<b>Safety Rail System</b> with trolley and karabiner	4.97.0500.248 <b>\$1,080.00</b>	4.97.0500.348 <b>\$1,080.00</b>	4.97.0500.448 <b>\$1,080.00</b>	4.97.0500.548 <b>\$1,080.00</b>	4.97.0500.648 <b>\$1,080.00</b>	4.97.0500.748 <b>\$1,080.00</b>	4.97.0500.848 <b>\$1,080.00</b>
<b>Anti-Climb Shield</b> set of 3	4.92.0107.000 <b>\$429.00</b>	4.92.0108.000 <b>\$473.00</b>	4.92.0109.000 <b>\$473.00</b>	4.92.0110.000 <b>\$517.00</b>	4.92.0111.000 <b>\$517.00</b>	4.92.0112.000 <b>\$561.00</b>	4.92.0113.000 <b>\$561.00</b>
<b>Tower Grounding Kit</b> with #6 copper wire	4.91.0101.000 <b>\$146.00</b>	4.91.0101.000 <b>\$146.00</b>	4.91.0101.000 <b>\$146.00</b>	4.91.0101.000 <b>\$146.00</b>	4.91.0101.000 <b>\$146.00</b>	4.91.0101.000 <b>\$146.00</b>	4.91.0101.000 <b>\$146.00</b>
<b>Side Mount (Top Section)</b> with 2 angle frames, clip angles, u-bolt assemblies, and 6' pipe	4.84.1141.000 <b>\$151.00</b>	4.84.1142.000 <b>\$151.00</b>	4.84.1151.000 <b>\$162.00</b>	4.84.1152.000 <b>\$162.00</b>	4.84.1161.000 <b>\$175.00</b>	4.84.1162.000 <b>\$175.00</b>	4.84.1171.000 <b>\$187.00</b>
For more Antenna Side Mount Kits, see accessories page 16.							
<b>Base Foot Weldments</b> set of 3	4.82.0108.000 <b>\$439.00</b>	4.82.0109.000 <b>\$439.00</b>	4.82.0110.000 <b>\$547.00</b>	4.82.0111.000 <b>\$547.00</b>	4.82.0112.000 <b>\$547.00</b>	4.82.0113.000 <b>\$547.00</b>	4.82.0114.000 <b>\$547.00</b>
<b>Rock Bolts</b> with nuts & flat washers 3-pak	4.80.0100.100 <b>\$243.00</b>	4.80.0100.100 <b>\$243.00</b>	4.80.0100.100 <b>\$243.00</b>	4.80.0102.100 <b>\$407.00</b>	4.80.0102.100 <b>\$407.00</b>	4.80.0102.100 <b>\$407.00</b>	4.80.0102.200 <b>\$812.00</b>
<b>Lighting Kits</b> with cable	4.93.0106.000 <b>\$1,335.00</b>	4.93.0106.000 <b>\$1,335.00</b>	4.93.0106.000 <b>\$1,335.00</b>	4.93.0106.000 <b>\$1,335.00</b>	4.93.0106.000 <b>\$1,335.00</b>	4.93.0106.000 <b>\$1,335.00</b>	4.93.0106.000 <b>\$1,335.00</b>

For more TITAN Accessories and Replacement Parts, see pages 15 to 24.

Model Designation:		T200	T300	T400	T500	T600	T700
Part Number:		4.95.0206.000	4.95.0306.000	4.95.0406.000	4.95.0506.000	4.95.0606.000	4.95.0706.000
<p>Includes 4' anchor stub legs for concrete, splice hardware, 8' x 1.9"OD antenna mounting pipe.</p> <p>Tower height shown is nominal. Actual tower height is achieved using support pipe provided with tower.</p>							
Allowable antenna area in ft <sup>2</sup> at 70/85/100 mph wind*	Survival no ice	Round: 16/5/-- Flat: 10/3/--	Round: 25/9/-- Flat: 17/6/--	Round: 38/17/4 Flat: 26/11/3	Round: 52/27/12 Flat: 35/18/8	Round: 70/40/20 Flat: 47/27/13	Round: 95/54/26 Flat: 64/36/17
	Survival 1/2" ice	Round: 2/--/-- Flat: 1/--/--	Round: 3/--/-- Flat: 2/--/--	Round: 10/--/-- Flat: 6/--/--	Round: 24/1/-- Flat: 16/1/--	Round: 36/6/-- Flat: 24/4/--	Round: 60/18/2 Flat: 45/12/1
Suggested List Price		<b>\$2,097.00</b>	<b>\$2,357.00</b>	<b>\$2,736.00</b>	<b>\$3,111.00</b>	<b>\$3,495.00</b>	<b>\$3,990.00</b>
Shipping Dimensions (L"xW"xH")		101x50x36	101x60x38	101x60x40	101x64x42	101x67x45	101x75x49
Shipping Weight (lbs)		513	602	730	848	964	1,115

\*Based on the antenna load being centrally located and balanced 3' or less above the tower top ("--" indicates tower failure).

## Common Accessories

Accessory:	T200	T300	T400	T500	T600	T700
<b>Safety Rail System</b> <i>with trolley and karabiner</i>	4.97.0500.256 <b>\$1,188.00</b>	4.97.0500.356 <b>\$1,188.00</b>	4.97.0500.456 <b>\$1,188.00</b>	4.97.0500.556 <b>\$1,188.00</b>	4.97.0500.656 <b>\$1,188.00</b>	4.97.0500.756 <b>\$1,188.00</b>
<b>Anti-Climb Shield</b> <i>set of 3</i>	4.92.0108.000 <b>\$473.00</b>	4.92.0109.000 <b>\$473.00</b>	4.92.0110.000 <b>\$517.00</b>	4.92.0111.000 <b>\$517.00</b>	4.92.0112.000 <b>\$561.00</b>	4.92.0113.000 <b>\$561.00</b>
<b>Tower Grounding Kit</b> <i>with #6 copper wire</i>	4.91.0101.000 <b>\$146.00</b>	4.91.0101.000 <b>\$146.00</b>	4.91.0101.000 <b>\$146.00</b>	4.91.0101.000 <b>\$146.00</b>	4.91.0101.000 <b>\$146.00</b>	4.91.0101.000 <b>\$146.00</b>
<b>Side Mount (Top Section)</b> <i>with 2 angle frames, clip angles, u-bolt assemblies, and 6' pipe</i>	4.84.1141.000 <b>\$151.00</b>	4.84.1142.000 <b>\$151.00</b>	4.84.1151.000 <b>\$162.00</b>	4.84.1152.000 <b>\$162.00</b>	4.84.1161.000 <b>\$175.00</b>	4.84.1162.000 <b>\$175.00</b>
<i>For more Antenna Side Mount Kits, see accessories page 16.</i>						
<b>Base Foot Weldments</b> <i>set of 3</i>	4.82.0109.000 <b>\$439.00</b>	4.82.0110.000 <b>\$547.00</b>	4.82.0111.000 <b>\$547.00</b>	4.82.0112.000 <b>\$547.00</b>	4.82.0113.000 <b>\$547.00</b>	4.82.0114.000 <b>\$547.00</b>
<b>Rock Bolts</b> <i>with nuts &amp; flat washers 3-pak</i>	4.80.0100.100 <b>\$243.00</b>	4.80.0100.100 <b>\$243.00</b>	4.80.0102.100 <b>\$407.00</b>	4.80.0102.100 <b>\$407.00</b>	4.80.0102.100 <b>\$407.00</b>	4.80.0102.200 <b>\$812.00</b>
<b>Lighting Kits</b> <i>with cable</i>	4.93.0107.000 <b>\$1,371.00</b>	4.93.0107.000 <b>\$1,371.00</b>	4.93.0107.000 <b>\$1,371.00</b>	4.93.0107.000 <b>\$1,371.00</b>	4.93.0107.000 <b>\$1,371.00</b>	4.93.0107.000 <b>\$1,371.00</b>

For more TITAN Accessories and Replacement Parts, see pages 15 to 24.



# 64' Towers



Model Designation:		T200	T300	T400	T500	T600
Part Number:		4.95.0207.000	4.95.0307.000	4.95.0407.000	4.95.0507.000	4.95.0607.000
<p>Includes 4' anchor stub legs for concrete, splice hardware, 8' x 1.9"OD antenna mounting pipe.</p> <p>To support the mounting pipe, every top section is factory installed with angle frames and u-bolts at top and middle of the section.</p> <p>Tower height shown is nominal. Actual tower height is achieved using support pipe provided with tower.</p>						
Allowable antenna area in ft <sup>2</sup> at 70/85/100 mph wind*	Survival no ice	Round: 16/3/-- Flat: 10/2/--	Round: 25/9/-- Flat: 17/6/--	Round: 39/17/4 Flat: 26/11/3	Round: 52/27/10 Flat: 35/18/7	Round: 70/40/15 Flat: 47/27/10
	Survival 1/2" ice	Round: 2/--/-- Flat: 1/--/--	Round: 3/--/-- Flat: 2/--/--	Round: 10/--/-- Flat: 6/--/--	Round: 24/1/-- Flat: 16/1/--	Round: 36/6/-- Flat: 24/4/--
Suggested List Price		<b>\$2,533.00</b>	<b>\$2,924.00</b>	<b>\$3,335.00</b>	<b>\$3,731.00</b>	<b>\$4,250.00</b>
Shipping Dimensions (L"xW"xH")		101x60x38	101x60x40	101x64x42	101x67x45	101x75x49
Shipping Weight (lbs)		627	756	886	1,009	1,174

\*Based on the antenna load being centrally located and balanced 3' or less above the tower top ("--" indicates tower failure).

## Common Accessories

Accessory:	T200	T300	T400	T500	T600
<b>Safety Rail System</b> <i>with trolley and karabiner</i>	4.97.0500.264 <b>\$1,296.00</b>	4.97.0500.364 <b>\$1,296.00</b>	4.97.0500.464 <b>\$1,296.00</b>	4.97.0500.564 <b>\$1,296.00</b>	4.97.0500.664 <b>\$1,296.00</b>
<b>Anti-Climb Shield</b> <i>set of 3</i>	4.92.0109.000 <b>\$473.00</b>	4.92.0110.000 <b>\$517.00</b>	4.92.0111.000 <b>\$517.00</b>	4.92.0112.000 <b>\$561.00</b>	4.92.0113.000 <b>\$561.00</b>
<b>Tower Grounding Kit</b> <i>with #6 copper wire</i>	4.91.0101.000 <b>\$146.00</b>	4.91.0101.000 <b>\$146.00</b>	4.91.0101.000 <b>\$146.00</b>	4.91.0101.000 <b>\$146.00</b>	4.91.0101.000 <b>\$146.00</b>
<b>Side Mount (Top Section)</b> <i>with 2 angle frames, clip angles, u-bolt assemblies, and 6' pipe</i>	4.84.1141.000 <b>\$151.00</b>	4.84.1142.000 <b>\$151.00</b>	4.84.1151.000 <b>\$162.00</b>	4.84.1152.000 <b>\$162.00</b>	4.84.1161.000 <b>\$175.00</b>
<i>For more Antenna Side Mount Kits, see accessories page 16.</i>					
<b>Base Foot Weldments</b> <i>set of 3</i>	4.82.0110.000 <b>\$547.00</b>	4.82.0111.000 <b>\$547.00</b>	4.82.0112.000 <b>\$547.00</b>	4.82.0113.000 <b>\$547.00</b>	4.82.0114.000 <b>\$547.00</b>
<b>Rock Bolts</b> <i>with nuts &amp; flat washers 3-pak</i>	4.80.0100.100 <b>\$243.00</b>	4.80.0102.100 <b>\$407.00</b>	4.80.0102.100 <b>\$407.00</b>	4.80.0102.100 <b>\$407.00</b>	4.80.0102.200 <b>\$812.00</b>



Safety Rail System

For more TITAN Accessories and Replacement Parts, see pages 15 to 24.

Model Designation:		T200	T300	T400	T500			
Part Number:		4.95.0208.000	4.95.0308.000	4.95.0408.000	4.95.0508.000			
<p>Includes 4' anchor stub legs for concrete, splice hardware, 8' x 1.9"OD antenna mounting pipe.</p> <p>To support the mounting pipe, every top section is factory installed with angle frames and u-bolts at top and middle of the section.</p> <p>Tower height shown is nominal. Actual tower height is achieved using support pipe provided with tower.</p>								
Allowable antenna area in ft <sup>2</sup> at 70/85/100 mph wind*	Survival no ice	Round: 16/3/-- Flat: 10/2/--	Round: 25/9/-- Flat: 17/6/--	Round: 39/17/3 Flat: 26/11/9	Round: 45/22/6 Flat: 34/18/4			
	Survival 1/2" ice	Round: 2/--/-- Flat: 1/--/--	Round: 3/--/-- Flat: 2/--/--	Round: 10/--/-- Flat: 6/--/--	Round: 24/1/-- Flat: 16/1/--			
Suggested List Price		<b>\$3,099.00</b>	<b>\$3,523.00</b>	<b>\$3,956.00</b>	<b>\$4,486.00</b>			
Shipping Dimensions (L"xW"xH")		101x60x40	101x64x42	101x67x45	101x75x49			
Shipping Weight (lbs)		780	912	1,047	1,220			

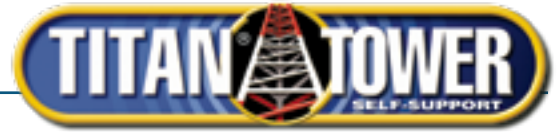
\*Based on the antenna load being centrally located and balanced 3' or less above the tower top ("--" indicates tower failure).

## Common Accessories

Accessory:	T200	T300	T400	T500			
<b>Safety Rail System</b> <i>with trolley and karabiner</i>	4.97.0500.272 <b>\$1,404.00</b>	4.97.0500.372 <b>\$1,404.00</b>	4.97.0500.472 <b>\$1,404.00</b>	4.97.0500.572 <b>\$1,404.00</b>			
<b>Anti-Climb Shield</b> <i>set of 3</i>	4.92.0110.000 <b>\$517.00</b>	4.92.0111.000 <b>\$517.00</b>	4.92.0112.000 <b>\$561.00</b>	4.92.0113.000 <b>\$561.00</b>	<p>Safety Rail System</p>	<p>Anti-Climb Shield</p>	
<b>Tower Grounding Kit</b> <i>with #6 copper wire</i>	4.91.0101.000 <b>\$146.00</b>	4.91.0101.000 <b>\$146.00</b>	4.91.0101.000 <b>\$146.00</b>	4.91.0101.000 <b>\$146.00</b>			
<b>Side Mount (Top Section)</b> <i>with 2 angle frames, clip angles, u-bolt assemblies, and 6' pipe</i>	4.84.1141.000 <b>\$151.00</b>	4.84.1142.000 <b>\$151.00</b>	4.84.1151.000 <b>\$162.00</b>	4.84.1152.000 <b>\$162.00</b>	<i>For more Antenna Side Mount Kits, see accessories page 16.</i>		
<b>Base Foot Weldments</b> <i>set of 3</i>	4.82.0111.000 <b>\$547.00</b>	4.82.0112.000 <b>\$547.00</b>	4.82.0113.000 <b>\$547.00</b>	4.82.0114.000 <b>\$547.00</b>			

For more TITAN Accessories and Replacement Parts, see pages 15 to 24.

# 80' Towers



Model Designation:		T200	T300	T400				
Part Number:		4.95.0209.000	4.95.0309.000	4.95.0409.000				
<p>Includes 4' anchor stub legs for concrete, splice hardware, 8' x 1.9"OD antenna mounting pipe.</p> <p>To support the mounting pipe, every top section is factory installed with angle frames and u-bolts at top and middle of the section.</p> <p>Tower height shown is nominal. Actual tower height is achieved using support pipe provided with tower.</p>								
Allowable antenna area in ft <sup>2</sup> at 70/85/100 mph wind*	Survival no ice	Round: 15/2/-- Flat: 10/2/--	Round: 25/9/-- Flat: 17/6/--	Round: 39/17/1 Flat: 26/11/1				
	Survival 1/2" ice	Round: 2/--/-- Flat: 1/--/--	Round: 3/--/-- Flat: 2/--/--	Round: 10/--/-- Flat: 6/--/--				
Suggested List Price		<b>\$3,698.00</b>	<b>\$4,143.00</b>	<b>\$4,711.00</b>				
Shipping Dimensions (L"xW"xH")		101x64x42	101x67x45	101x75x49				
Shipping Weight (lbs)		936	1,073	1,258				

\*Based on the antenna load being centrally located and balanced 3' or less above the tower top ("--" indicates tower failure).

## Common Accessories

Accessory:	T200	T300	T400				
<b>Safety Rail System</b> <i>with trolley and karabiner</i>	4.97.0500.280 <b>\$1,512.00</b>	4.97.0500.380 <b>\$1,512.00</b>	4.97.0500.480 <b>\$1,512.00</b>				
<b>Anti-Climb Shield</b> <i>set of 3</i>	4.92.0111.000 <b>\$517.00</b>	4.92.0112.000 <b>\$561.00</b>	4.92.0113.000 <b>\$561.00</b>				
<b>Tower Grounding Kit</b> <i>with #6 copper wire</i>	4.91.0101.000 <b>\$146.00</b>	4.91.0101.000 <b>\$146.00</b>	4.91.0101.000 <b>\$146.00</b>				
<b>Side Mount (Top Section)</b> <i>with 2 angle frames, clip angles, u-bolt assemblies, and 6" pipe</i>	4.84.1141.000 <b>\$151.00</b>	4.84.1142.000 <b>\$151.00</b>	4.84.1151.000 <b>\$162.00</b>				
For more Antenna Side Mount Kits, see accessories page 16.							

For more TITAN Accessories and Replacement Parts, see pages 15 to 24.

Model Designation:		T200	T300				
Part Number:		4.95.0210.000	4.95.0310.000				
<p>Includes 4' anchor stub legs for concrete, splice hardware, 8' x 1.9"OD antenna mounting pipe.</p> <p>To support the mounting pipe, every top section is factory installed with angle frames and u-bolts at top and middle of the section.</p> <p>Tower height shown is nominal. Actual tower height is achieved using support pipe provided with tower.</p>							
Allowable antenna area in ft <sup>2</sup> at 70/85/100 mph wind*	Survival no ice	Round: 16/3/-- Flat: 10/2/--	Round: 22/6/-- Flat: 15/4/--				
	Survival 1/2" ice	Round: 2/--/-- Flat: 1/--/--	Round: 3/--/-- Flat: 2/--/--				
Suggested List Price		<b>\$4,319.00</b>	<b>\$4,898.00</b>				
Shipping Dimensions (L"xW"xH")		101x67x45	101x75x49				
Shipping Weight (lbs)		1,098	1,284				

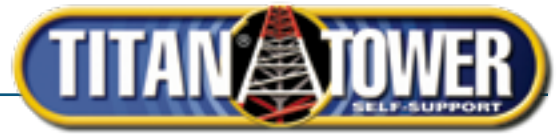
\*Based on the antenna load being centrally located and balanced 3' or less above the tower top ("--" indicates tower failure).

## Common Accessories

Accessory:	T200	T300				
<b>Safety Rail System</b> <i>with trolley and karabiner</i>	4.97.0500.288 <b>\$1,620.00</b>	4.97.0500.388 <b>\$1,620.00</b>				
<b>Anti-Climb Shield</b> <i>set of 3</i>	4.92.0112.000 <b>\$561.00</b>	4.92.0113.000 <b>\$561.00</b>	<i>Safety Rail System</i>	<i>Anti-Climb Shield</i>	<i>Tower Grounding Kit</i>	<i>Antenna Side Mount</i>
<b>Tower Grounding Kit</b> <i>with #6 copper wire</i>	4.91.0101.000 <b>\$146.00</b>	4.91.0101.000 <b>\$146.00</b>				

For more TITAN Accessories and Replacement Parts, see pages 15 to 24.

# 96' Towers



Model Designation:		T200					
Part Number:		4.95.0211.000					
<p>Includes 4' anchor stub legs for concrete, splice hardware, 8' x 1.9"OD antenna mounting pipe.</p> <p>Tower height shown is nominal. Actual tower height is achieved using support pipe provided with tower.</p>							
Allowable antenna area in ft <sup>2</sup> at 70/85/100 mph wind*	Survival no ice	Round:	15/3/--				
	Survival 1/2" ice	Flat:	10/2/--				
Suggested List Price		<b>\$5,074.00</b>					
Shipping Dimensions (L"xW"xH")		101x75x49					
Shipping Weight (lbs)		1,308					

\*Based on the antenna load being centrally located and balanced 3' or less above the tower top ("--" indicates tower failure).

## Common Accessories

Accessory:	T200					
<b>Safety Rail System</b> with trolley and karabiner	4.97.0500.296 <b>\$1,728.00</b>					
<b>Anti-Climb Shield</b> set of 3	4.92.0113.000 <b>\$561.00</b>					
<b>Tower Grounding Kit</b> with #6 copper wire	4.91.0101.000 <b>\$146.00</b>					

For more TITAN Accessories and Replacement Parts, see pages 15 to 24.

## Pre-Assembled 8' Sections (with Splice Hardware to mate with next section)

Part Number	Description	List Price	Bare Wt. (lbs)	Ship LxWxH (in)	Image
4.95.0022.000	Tower section # 2 Top c/w hot-dip galv. 1.9"OD x 8' pipe	<b>\$388.00</b>	35	101x40x22	
4.95.0031.000	Tower section # 3	<b>\$207.00</b>	30	101x40x25	
4.95.0032.000	Tower section # 3 Top c/w hot-dip galv. 1.9"OD x 8' pipe	<b>\$418.00</b>	40	101x40x25	
4.95.0041.000	Tower section # 4	<b>\$231.00</b>	38	101x40x28	
4.95.0042.000	Tower section # 4 Top c/w hot-dip galv. 1.9"OD x 8' pipe	<b>\$460.00</b>	53	101x40x28	
4.95.0051.000	Tower section # 5	<b>\$249.00</b>	44	101x40x31	
4.95.0052.000	Tower section # 5 Top c/w hot-dip galv. 1.9"OD x 8' pipe	<b>\$485.00</b>	59	101x40x31	
4.95.0061.000	Tower section # 6	<b>\$291.00</b>	58	101x40x34	
4.95.0062.000	Tower section # 6 Top c/w hot-dip galv. 1.9"OD x 8' pipe	<b>\$539.00</b>	85	101x40x34	
4.95.0071.000	Tower section # 7	<b>\$321.00</b>	71	101x40x37	
4.95.0072.000	Tower section # 7 Top c/w hot-dip galv. 1.9"OD x 8' pipe	<b>\$600.00</b>	91	101x40x37	
4.95.0081.000	Tower section # 8	<b>\$352.00</b>	78	101x40x40	
4.95.0082.000	Tower section # 8 Top c/w hot-dip galv. 1.9"OD x 8' pipe	<b>\$660.00</b>	110	101x40x40	
4.95.0091.000	Tower section # 9	<b>\$436.00</b>	107	101x48x43	
4.95.0101.000	Tower section #10	<b>\$527.00</b>	133	101x48x46	
4.95.0111.000	Tower section #11	<b>\$600.00</b>	148	101x48x49	
4.95.0121.000	Tower section #12	<b>\$618.00</b>	160	101x48x52	
4.95.0131.000	Tower section #13	<b>\$726.00</b>	190	101x48x55	

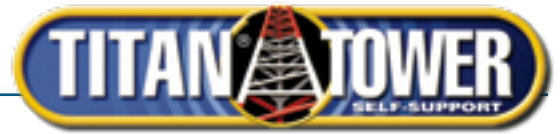
## Anchor Stub Legs - Set of 3 (4' long, for concrete foundations)

Part Number	Description	List Price	Ship Wt. (lbs)	Ship LxWxH (in)	Image
4.81.0104.000	Anchor Stub Leg # 4 - fits section # 3	<b>\$33.00</b>	10	48x6x6	
4.81.0105.000	Anchor Stub Leg # 5 - fits section # 4	<b>\$40.00</b>	13	48x6x6	
4.81.0106.000	Anchor Stub Leg # 6 - fits section # 5	<b>\$40.00</b>	16	48x6x6	
4.81.0107.000	Anchor Stub Leg # 7 - fits section # 6	<b>\$51.00</b>	21	48x6x6	
4.81.0108.000	Anchor Stub Leg # 8 - fits section # 7	<b>\$59.00</b>	25	48x6x6	
4.81.0109.000	Anchor Stub Leg # 9 - fits section # 8	<b>\$62.00</b>	28	48x6x6	
4.81.0110.000	Anchor Stub Leg #10 - fits section # 9	<b>\$62.00</b>	40	48x6x6	
4.81.0111.000	Anchor Stub Leg #11 - fits section #10	<b>\$102.00</b>	48	48x6x6	
4.81.0112.000	Anchor Stub Leg #12 - fits section #11	<b>\$102.00</b>	58	48x6x6	
4.81.0113.000	Anchor Stub Leg #13 - fits section #12	<b>\$106.00</b>	75	48x6x6	
4.81.0114.000	Anchor Stub Leg #14 - fits section #13	<b>\$135.00</b>	80	48x6x6	

## 4' Short Foundation Sections (for embedment in concrete; alternate to anchor stub legs)

Part Number	Description	List Price	Ship Wt. (lbs)	Ship LxWxH (in)	Image
4.81.0204.000	4' Foundation section - fits section # 3	<b>\$153.00</b>	15	48x48x21	
4.81.0205.000	4' Foundation section - fits section # 4	<b>\$160.00</b>	19	48x48x24	
4.81.0206.000	4' Foundation section - fits section # 5	<b>\$172.00</b>	22	48x48x27	
4.81.0207.000	4' Foundation section - fits section # 6	<b>\$179.00</b>	29	48x48x30	
4.81.0208.000	4' Foundation section - fits section # 7	<b>\$191.00</b>	35	48x48x33	
4.81.0209.000	4' Foundation section - fits section # 8	<b>\$261.00</b>	39	48x48x36	
4.81.0210.000	4' Foundation section - fits section # 9	<b>\$299.00</b>	53	48x48x39	
4.81.0211.000	4' Foundation section - fits section #10	<b>\$332.00</b>	66	48x48x42	
4.81.0212.000	4' Foundation section - fits section #11	<b>\$376.00</b>	75	48x48x45	
4.81.0213.000	4' Foundation section - fits section #12	<b>\$458.00</b>	95	48x48x48	
4.81.0214.000	4' Foundation section - fits section #13	<b>\$554.00</b>	100	48x51x51	

# Accessories – Anchor Kits



<b>Base Foot Weldments</b> (alternate anchor type to embedment stub legs; use with rock bolts)					
Part Number	Description	List Price	Ship Wt. (lbs)	Ship LxWxH (in)	Image
4.82.0104.000	TITAN Base Foot Weldment # 4 - fits # 3	<b>\$293.00</b>	12	3@5x4x6	
4.82.0105.000	TITAN Base Foot Weldment # 5 - fits # 4	<b>\$293.00</b>	12	3@5x4x6	
4.82.0106.000	TITAN Base Foot Weldment # 6 - fits # 5	<b>\$439.00</b>	12	3@5x4x8	
4.82.0107.000	TITAN Base Foot Weldment # 7 - fits # 6	<b>\$439.00</b>	12	3@5x4x8	
4.82.0108.000	TITAN Base Foot Weldment # 8 - fits # 7	<b>\$439.00</b>	18	3@5x4x8	
4.82.0109.000	TITAN Base Foot Weldment # 9 - fits # 8	<b>\$439.00</b>	18	3@6x5x8	
4.82.0110.000	TITAN Base Foot Weldment #10 - fits # 9	<b>\$547.00</b>	33	3@6x5x8	
4.82.0111.000	TITAN Base Foot Weldment #11 - fits #10	<b>\$547.00</b>	33	3@8x6x8	
4.82.0112.000	TITAN Base Foot Weldment #12 - fits #11	<b>\$547.00</b>	33	3@8x6x8	
4.82.0113.000	TITAN Base Foot Weldment #13 - fits #12	<b>\$547.00</b>	33	3@8x6x8	
4.82.0114.000	TITAN Base Foot Weldment #14 - fits #13	<b>\$547.00</b>	63	3@10x6x8	

<b>Rock Bolts</b> (for sound and solid rock; utilize with base foot weldments)					
Part Number	Description	List Price	Ship Wt. (lbs)	Ship LxWxH (in)	Image
4.80.0100.100	5/8" x 5' Rock Bolts, 3-pak - fits # 3 - # 6	<b>\$243.00</b>	22	61x4x5	
4.80.0101.100	3/4" x 5' Rock Bolts, 3-pak - fits # 7 - # 8	<b>\$238.00</b>	24	61x4x5	
4.80.0102.100	1" x 5' Rock Bolts, 3-pak - fits # 9 - #12	<b>\$407.00</b>	45	61x4x5	
4.80.0102.200	1" x 5' Rock Bolts, 6 pak - fits #13	<b>\$812.00</b>	90	2@61x5x5	

<b>Anchor Bolt Kits</b> (for existing concrete pads and roofs; utilize with base foot weldments – includes bolts, adhesive compound, and hardware)					
Part Number	Description	List Price	Ship Wt. (lbs)	Ship LxWxH (in)	Image
4.80.0200.100	Anchor Bolt Kit, 3-pak - fits # 3 - # 6	<b>\$327.00</b>	22	1@36x2x2 + 1@8x8x8	
4.80.0200.200	Anchor Bolt Kit, 3-pak - fits # 7 - # 8	<b>\$327.00</b>	24	1@36x2x2 + 1@8x8x8	
4.80.0200.300	Anchor Bolt Kit, 3-pak - fits # 9 - #12	<b>\$660.00</b>	45	1@36x3x3 + 1@8x8x8	
4.80.0200.400	Anchor Bolt Kit, 6 pak - fits #13	<b>\$1,319.00</b>	90	1@36x4x4 + 1@8x8x8	

<b>Hinged Bases</b> (for tilting towers - max. tower height 56')					
Part Number	Description	List Price	Ship Wt. (lbs)	Ship LxWxH (in)	Image
4.79.0102.400	Section # 4, falling derrick sold separately	<b>\$966.00</b>	64	48x48x12	
4.79.0102.500	Section # 5, falling derrick sold separately	<b>\$973.00</b>	66	48x48x12	
4.79.0102.600	Section # 6, falling derrick sold separately	<b>\$978.00</b>	68	48x48x12	
4.79.0102.700	Section # 7, falling derrick sold separately	<b>\$999.00</b>	71	48x48x12	
4.79.0102.800	Section # 8, falling derrick sold separately	<b>\$1,010.00</b>	73	48x48x12	

## Side Mount Kit (with 2 angle frames, clip angles, u-bolt assemblies, and 6' pipe)

Part Number	Description	List Price	Ship Wt. (lbs)	Ship LxWxH (in)	Image
4.84.1141.000	Section # 2	<b>\$151.00</b>	22	15x6x6	
4.84.1142.000	Section # 3	<b>\$151.00</b>	23	18x6x6	
4.84.1151.000	Section # 4	<b>\$162.00</b>	25	21x6x6	
4.84.1152.000	Section # 5	<b>\$162.00</b>	27	24x6x6	
4.84.1161.000	Section # 6	<b>\$175.00</b>	28	27x6x6	
4.84.1162.000	Section # 7	<b>\$175.00</b>	29	30x6x6	
4.84.1171.000	Section # 8	<b>\$187.00</b>	31	33x6x6	
4.84.1172.000	Section # 9	<b>\$187.00</b>	33	36x6x6	
4.84.1181.000	Section #10	<b>\$187.00</b>	35	39x6x6	
4.84.1182.000	Section #11	<b>\$195.00</b>	36	42x6x6	
4.84.1191.000	Section #12	<b>\$195.00</b>	37	45x6x6	

## Cluster Antenna Mounts

Part Number	Description	List Price	Ship Wt. (lbs)	Ship LxWxH (in)	Image
4.84.3CLS.00A	3-cluster Antenna Mount, 1.66" OD tube, fits TITAN SS	<b>\$207.00</b>	40	48x10x4	
4.84.6CLS.00A	6-cluster Antenna Mount, 1.66" OD tube, fits TITAN SS	<b>\$412.00</b>	80	2@48x10x4	

Note: These cluster mounts install on the top pipe of the TITAN tower. They do **NOT** mount to the legs, they can be side mounted **ONLY** with the addition of a TITAN side-mount kit.

On a 6-cluster mount, the distance from one half of the cluster to the other half is 5.5".

Cluster mounts have built-in down tilt adjustment.

6-cluster Antenna Mount

3-cluster Antenna Mount


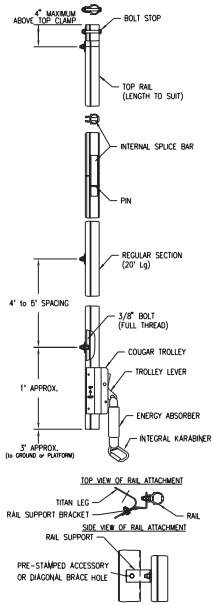

## Surveillance Camera Mounting Accessory (1.9"OD tubing x 6' long)

Part Number	Description	List Price	Ship Wt. (lbs)	Ship LxWxH (in)	Image
4.85.0101.000	Heavy duty flat plate welded at top, hot-dip galvanized	<b>\$227.00</b>	20	60x8x8	





# Accessories – Fall Protection




Safety Climb Rail Kits (no trolley)					
Part Number	Description	List Price	Ship Wt. (lbs)	Ship LxWxH (in)	Image
4.97.0510.216	Safety Rail Kit for 16' TITAN T200, No Trolley	\$260.00	34	252x6x6	  
4.97.0510.224	Safety Rail Kit for 24' TITAN T200, No Trolley	\$368.00	35	252x6x6	
4.97.0510.232	Safety Rail Kit for 32' TITAN T200, No Trolley	\$476.00	37	252x6x6	
4.97.0510.240	Safety Rail Kit for 40' TITAN T200, No Trolley	\$584.00	38	252x6x6	
4.97.0510.248	Safety Rail Kit for 48' TITAN T200, No Trolley	\$692.00	40	252x6x6	
4.97.0510.256	Safety Rail Kit for 56' TITAN T200, No Trolley	\$800.00	42	252x6x6	
4.97.0510.264	Safety Rail Kit for 64' TITAN T200, No Trolley	\$908.00	43	252x6x6	
4.97.0510.272	Safety Rail Kit for 72' TITAN T200, No Trolley	\$1,016.00	45	252x6x6	
4.97.0510.280	Safety Rail Kit for 80' TITAN T200, No Trolley	\$1,124.00	47	252x6x6	
4.97.0510.288	Safety Rail Kit for 88' TITAN T200, No Trolley	\$1,232.00	48	252x6x6	
4.97.0510.296	Safety Rail Kit for 96' TITAN T200, No Trolley	\$1,340.00	50	252x6x6	
4.97.0510.316	Safety Rail Kit for 16' TITAN T300, No Trolley	\$260.00	34	252x6x6	
4.97.0510.324	Safety Rail Kit for 24' TITAN T300, No Trolley	\$368.00	35	252x6x6	
4.97.0510.332	Safety Rail Kit for 32' TITAN T300, No Trolley	\$476.00	37	252x6x6	
4.97.0510.340	Safety Rail Kit for 40' TITAN T300, No Trolley	\$584.00	38	252x6x6	
4.97.0510.348	Safety Rail Kit for 48' TITAN T300, No Trolley	\$692.00	40	252x6x6	
4.97.0510.356	Safety Rail Kit for 56' TITAN T300, No Trolley	\$800.00	42	252x6x6	
4.97.0510.364	Safety Rail Kit for 64' TITAN T300, No Trolley	\$908.00	43	252x6x6	
4.97.0510.372	Safety Rail Kit for 72' TITAN T300, No Trolley	\$1,016.00	45	252x6x6	
4.97.0510.380	Safety Rail Kit for 80' TITAN T300, No Trolley	\$1,124.00	47	252x6x6	
4.97.0510.388	Safety Rail Kit for 88' TITAN T300, No Trolley	\$1,232.00	48	252x6x6	
4.97.0510.416	Safety Rail Kit for 16' TITAN T400, No Trolley	\$260.00	34	252x6x6	
4.97.0510.424	Safety Rail Kit for 24' TITAN T400, No Trolley	\$368.00	35	252x6x6	
4.97.0510.432	Safety Rail Kit for 32' TITAN T400, No Trolley	\$476.00	37	252x6x6	
4.97.0510.440	Safety Rail Kit for 40' TITAN T400, No Trolley	\$584.00	38	252x6x6	
4.97.0510.448	Safety Rail Kit for 48' TITAN T400, No Trolley	\$692.00	40	252x6x6	
4.97.0510.456	Safety Rail Kit for 56' TITAN T400, No Trolley	\$800.00	42	252x6x6	
4.97.0510.464	Safety Rail Kit for 64' TITAN T400, No Trolley	\$908.00	43	252x6x6	
4.97.0510.472	Safety Rail Kit for 72' TITAN T400, No Trolley	\$1,016.00	45	252x6x6	
4.97.0510.480	Safety Rail Kit for 80' TITAN T400, No Trolley	\$1,124.00	47	252x6x6	
4.97.0510.516	Safety Rail Kit for 16' TITAN T500, No Trolley	\$260.00	34	252x6x6	
4.97.0510.524	Safety Rail Kit for 24' TITAN T500, No Trolley	\$368.00	35	252x6x6	
4.97.0510.532	Safety Rail Kit for 32' TITAN T500, No Trolley	\$476.00	37	252x6x6	


## Safety Climb Rail Kits (no trolley)

Part Number	Description	List Price	Ship Wt. (lbs)	Ship LxWxH (in)	Image
4.97.0510.540	Safety Rail Kit for 40' TITAN T500, No Trolley	<b>\$584.00</b>	38	252x6x6	 
4.97.0510.548	Safety Rail Kit for 48' TITAN T500, No Trolley	<b>\$692.00</b>	40	252x6x6	
4.97.0510.556	Safety Rail Kit for 56' TITAN T500, No Trolley	<b>\$800.00</b>	42	252x6x6	
4.97.0510.564	Safety Rail Kit for 64' TITAN T500, No Trolley	<b>\$908.00</b>	43	252x6x6	
4.97.0510.572	Safety Rail Kit for 72' TITAN T500, No Trolley	<b>\$1,016.00</b>	45	252x6x6	
4.97.0510.616	Safety Rail Kit for 16' TITAN T600, No Trolley	<b>\$260.00</b>	34	252x6x6	
4.97.0510.624	Safety Rail Kit for 24' TITAN T600, No Trolley	<b>\$368.00</b>	35	252x6x6	
4.97.0510.632	Safety Rail Kit for 32' TITAN T600, No Trolley	<b>\$476.00</b>	37	252x6x6	
4.97.0510.640	Safety Rail Kit for 40' TITAN T600, No Trolley	<b>\$584.00</b>	38	252x6x6	
4.97.0510.648	Safety Rail Kit for 48' TITAN T600, No Trolley	<b>\$692.00</b>	40	252x6x6	
4.97.0510.656	Safety Rail Kit for 56' TITAN T600, No Trolley	<b>\$800.00</b>	42	252x6x6	
4.97.0510.664	Safety Rail Kit for 64' TITAN T600, No Trolley	<b>\$908.00</b>	43	252x6x6	
4.97.0510.716	Safety Rail Kit for 16' TITAN T700, No Trolley	<b>\$260.00</b>	34	252x6x6	
4.97.0510.724	Safety Rail Kit for 24' TITAN T700, No Trolley	<b>\$368.00</b>	35	252x6x6	
4.97.0510.724	Safety Rail Kit for 32' TITAN T700, No Trolley	<b>\$476.00</b>	37	252x6x6	
4.97.0510.740	Safety Rail Kit for 40' TITAN T700, No Trolley	<b>\$584.00</b>	38	252x6x6	
4.97.0510.748	Safety Rail Kit for 48' TITAN T700, No Trolley	<b>\$692.00</b>	40	252x6x6	
4.97.0510.756	Safety Rail Kit for 56' TITAN T700, No Trolley	<b>\$800.00</b>	42	252x6x6	
4.97.0510.816	Safety Rail Kit for 16' TITAN T800, No Trolley	<b>\$260.00</b>	34	252x6x6	
4.97.0510.824	Safety Rail Kit for 24' TITAN T800, No Trolley	<b>\$368.00</b>	35	252x6x6	
4.97.0510.832	Safety Rail Kit for 32' TITAN T800, No Trolley	<b>\$476.00</b>	37	252x6x6	
4.97.0510.840	Safety Rail Kit for 40' TITAN T800, No Trolley	<b>\$584.00</b>	38	252x6x6	
4.97.0510.848	Safety Rail Kit for 48' TITAN T800, No Trolley	<b>\$692.00</b>	40	252x6x6	

## Safety Climb Trolley

Part Number	Description	List Price	Ship Wt. (lbs)	Ship LxWxH (in)	Image
4.97.0101.001	Cougar Rail Trolley with Karabiner	<b>\$411.00</b>	3	8x8x4	

## Safety Harness


Part Number	Description	List Price	Ship Wt. (lbs)	Ship LxWxH (in)	Image
4.96.0103.000	Medium Full Body Safety Harness (fits 36" to 44" waist)	<b>\$346.00</b>	5	16x16x8	

<b>Amateur Radio Mounts (rotor plates for thrust bearing)</b>					
Part Number	Description	List Price	Ship Wt. (lbs)	Ship LxWxH (in)	Image
4.89.0121.000	Rotor Plate, galvanized - top section # 2	\$57.00	8	15x15x1	
4.89.0122.000	Rotor Plate, galvanized - middle section # 2	\$57.00	9	16x16x1	
4.89.0131.000	Rotor Plate, galvanized - top section # 3	\$57.00	10	18x18x1	
4.89.0132.000	Rotor Plate, galvanized - middle section # 3	\$57.00	11	20x20x1	
4.89.0141.000	Rotor Plate, galvanized - top section # 4	\$57.00	14	22x22x1	
4.89.0142.000	Rotor Plate, galvanized - middle section # 4	\$57.00	15	24x24x1	
4.89.0151.000	Rotor Plate, galvanized - top section # 5	\$63.00	17	26x26x1	
4.89.0152.000	Rotor Plate, galvanized - middle section # 5	\$63.00	18	28x28x1	
4.89.0161.000	Rotor Plate, galvanized - top section # 6	\$63.00	19	30x30x1	
4.89.0162.000	Rotor Plate, galvanized - middle section # 6	\$63.00	20	32x32x1	
4.89.0171.000	Rotor Plate, galvanized - top section # 7	\$63.00	22	34x34x1	
4.89.0172.000	Rotor Plate, galvanized - middle section # 7	\$63.00	24	36x36x1	
4.89.0181.000	Rotor Plate, galvanized - top section # 8	\$63.00	28	38x38x1	
4.89.0182.000	Rotor Plate, galvanized - middle section # 8	\$63.00	30	40x40x1	

Note: If you are buying a Radio Mount for anything other than a top section, you must also purchase angle frames.

<b>Angle Frames (with Hardware and U-bolts)</b>					
Part Number	Description	List Price	Ship Wt. (lbs)	Ship LxWxH (in)	Image
4.83.0121.000	Angle Frame - top section # 2	\$58.00	5	15x15x1	
4.83.0122.000	Angle Frame - middle section # 2	\$60.00	5	16x16x1	
4.83.0122.100	Angle Frame - top and middle section # 2	\$117.00	10	16x16x1	
4.83.0131.000	Angle Frame - top section # 3	\$63.00	5	20x20x1	
4.83.0132.000	Angle Frame - middle section # 3	\$64.00	5	20x20x1	
4.83.0132.100	Angle Frame - top and middle section # 3	\$126.00	10	20x20x1	
4.83.0141.000	Angle Frame - top section # 4	\$70.00	8	24x24x1	
4.83.0142.000	Angle Frame - middle section # 4	\$75.00	8	24x24x1	
4.83.0142.100	Angle Frame - top and middle section # 4	\$143.00	15	24x24x1	
4.83.0151.000	Angle Frame - top section # 5	\$75.00	8	28x28x1	
4.83.0152.000	Angle Frame - middle section # 5	\$76.00	8	28x28x1	
4.83.0152.100	Angle Frame - top and middle section # 5	\$150.00	15	28x28x1	
4.83.0161.000	Angle Frame - top section # 6	\$79.00	10	32x32x1	
4.83.0162.000	Angle Frame - middle section # 6	\$83.00	10	32x32x1	
4.83.0162.100	Angle Frame - top and middle section # 6	\$161.00	20	32x32x1	
4.83.0171.000	Angle Frame - top section # 7	\$93.00	10	36x36x1	
4.83.0172.000	Angle Frame - middle section # 7	\$96.00	10	36x36x1	
4.83.0172.100	Angle Frame - top and middle section # 7	\$188.00	20	36x36x1	
4.83.0181.000	Angle Frame - top section # 8	\$118.00	13	40x40x1	
4.83.0182.000	Angle Frame - middle section # 8	\$121.00	13	40x40x1	
4.83.0182.100	Angle Frame - top and middle section # 8	\$238.00	25	40x40x1	

### Orange & White Factory Painting (painted by baked enamel powder coat process)


Part Number	Description	List Price	Ship Wt. (lbs)	Image
Special	Factory Painting – allow 2 weeks lead time	<b>\$6,500.00</b>	N/A	

Note: Cost is for any height TITAN Tower.

### Working Platforms

Part Number	Description	List Price	Ship Wt. (lbs)	Ship LxWxH (in)	Image
4.88.0102.230	Fits sections # 2 and # 3	<b>\$363.00</b>	50	32x10x4	
4.88.0102.456	Fits sections #4, # 5, and # 6	<b>\$403.00</b>	55	40x42x12	
4.88.0102.780	Fits sections # 7 and # 8	<b>\$420.00</b>	60	40x42x12	

### Lightning Rod

Part Number	Description	List Price	Ship Wt. (lbs)	Ship LxWxH (in)	Image
4.90.0100.000	Lightning Rod	<b>\$74.00</b>	10	96x6x6	

### Antenna Mounting Pipes (for top of tower)

Part Number	Description	List Price	Ship Wt. (lbs)	Ship LxWxH (in)	Image
4.87.0101.000	1.9"OD Galv. Tubing x 6', sched. 40, inside diameter=1.625"	<b>\$86.00</b>	14	72x2x2	
4.87.0101.100	1.9"OD Galv. Tubing x 8', sched. 40, inside diameter=1.625"	<b>\$108.00</b>	18	96x2x2	
4.87.0101.200	1.9"OD Galv. Tubing x 10', sched. 40, inside diameter=1.625"	<b>\$137.00</b>	23	120x2x2	
4.87.0101.300	1.9"OD Galv. Tubing x 12', sched. 40, inside diameter=1.625"	<b>\$159.00</b>	28	144x2x2	
4.87.0102.000	2.375"OD Galvanized Tubing x 6', sched. 40	<b>\$103.00</b>	28	72x2.5x2.5	
4.87.0102.100	2.375"OD Galvanized Tubing x 8', sched. 40	<b>\$143.00</b>	37	96x2.5x2.5	
4.87.0102.200	2.375"OD Galvanized Tubing x 10', sched. 40	<b>\$165.00</b>	46	120x2.5x2.5	
4.87.0102.300	2.375"OD Galvanized Tubing x 12', sched. 40	<b>\$205.00</b>	56	144x2.5x2.5	
4.87.0103.000	2.875"OD Galvanized Tubing x 6', sched. 40	<b>\$125.00</b>	34	72x3x3	
4.87.0103.100	2.875"OD Galvanized Tubing x 8', sched. 40	<b>\$147.00</b>	46	96x3x3	
4.87.0103.200	2.875"OD Galvanized Tubing x 10', sched. 40	<b>\$182.00</b>	57	120x3x3	
4.87.0103.300	2.875"OD Galvanized Tubing x 12', sched. 40	<b>\$210.00</b>	68	144x3x3	

Flood Light Supports (for ballpark, stadium, and parking lot lighting)					
Part Number	Description	List Price	Ship Wt. (lbs)	Ship LxWxH (in)	Image
4.86.0103.000	Dual Light Bullhorn Mount, 30" wide	<b>\$227.00</b>	12	30x18x3	
4.86.0102.000	Dual Light Angle Mount, 48" wide	<b>\$227.00</b>	34	48x18x6	

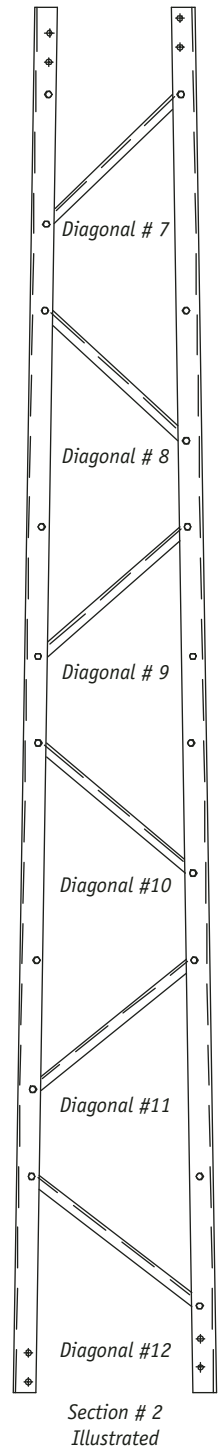
Lighting Kits (steady burning, dual red, non-alarmed)					
Part Number	Description	List Price	Ship Wt. (lbs)	Ship LxWxH (in)	Image
4.93.0102.000	16' Lighting Kit with Tech 90 cable	<b>\$1,220.00</b>	53	40x42x12	
4.93.0103.000	24' Lighting Kit with Tech 90 cable	<b>\$1,238.00</b>	55	40x42x12	
4.93.0104.000	32' Lighting Kit with Tech 90 cable	<b>\$1,250.00</b>	57	40x42x12	
4.93.0105.000	40' Lighting Kit with Tech 90 cable	<b>\$1,299.00</b>	58	40x42x16	
4.93.0106.000	48' Lighting Kit with Tech 90 cable	<b>\$1,335.00</b>	60	40x42x16	
4.93.0107.000	56' Lighting Kit with Tech 90 cable	<b>\$1,371.00</b>	60	40x42x18	
4.93.0108.000	64' Lighting Kit with Tech 90 cable	<b>\$1,407.00</b>	65	40x42x18	
4.93.0109.000	72' Lighting Kit with Tech 90 cable	<b>\$1,451.00</b>	67	40x42x20	
4.93.0110.000	80' Lighting Kit with Tech 90 cable	<b>\$1,494.00</b>	68	40x42x20	
4.93.0111.000	88' Lighting Kit with Tech 90 cable	<b>\$1,529.00</b>	69	40x42x24	
4.93.0112.000	96' Lighting Kit with Tech 90 cable	<b>\$1,566.00</b>	70	40x42x24	

TITAN Replacement Bulbs					
Part Number	Description	List Price	Ship Wt. (lbs)	Ship LxWxH (in)	Image
1404070	TITAN Red Obstruction Bulbs	<b>\$8.80</b>	0.5	10x10x10	

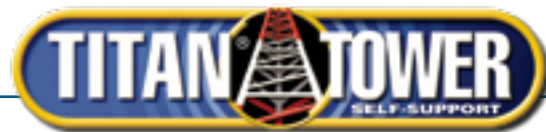
TITAN Transmission Line Support Bracket (1 pak, order 3 per section)					
Part Number	Description	List Price	Ship Wt. (lbs)	Ship LxWxH (in)	Image
4.84.0300.200	TITAN Tx Bracket	<b>\$18.00</b>	1	6x4x2	

**Diagonal Braces** (nuts and bolts sold separately, always replace nuts when replacing braces, do not re-use)

Part Number	Description	List Price	Ship Wt. (lbs)	Ship LxWxH (in)
3.85.0022.107	TITAN SS Tower Diagonal # 7 (section # 2)	\$12.10	1	13x1x0.5
3.85.0022.108	TITAN SS Tower Diagonal # 8 (section # 2)	\$12.10	1	15x1x0.5
3.85.0022.109	TITAN SS Tower Diagonal # 9 (section # 2)	\$12.10	1	15x1x0.5
3.85.0022.110	TITAN SS Tower Diagonal #10 (section # 2)	\$12.10	1	15x1x0.5
3.85.0022.111	TITAN SS Tower Diagonal #11 (section # 2)	\$12.10	2	16x1x0.5
3.85.0022.112	TITAN SS Tower Diagonal #12 (section # 2)	\$12.10	2	16x1x0.5
3.85.0022.113	TITAN SS Tower Diagonal #13 (section # 3)	\$12.10	2	17x1x0.75
3.85.0022.114	TITAN SS Tower Diagonal #14 (section # 3)	\$12.10	2	17x1x0.75
3.85.0022.115	TITAN SS Tower Diagonal #15 (section # 3)	\$12.10	2	17x1x0.75
3.85.0022.116	TITAN SS Tower Diagonal #16 (section # 3)	\$13.31	2	18x1x0.75
3.85.0022.117	TITAN SS Tower Diagonal #17 (section # 3)	\$13.31	2	18x1x0.75
3.85.0022.118	TITAN SS Tower Diagonal #18 (section # 3)	\$13.31	2	19x1x0.75
3.85.0022.119	TITAN SS Tower Diagonal #19 (section # 4)	\$13.31	2	19x1x0.75
3.85.0022.120	TITAN SS Tower Diagonal #20 (section # 4)	\$13.31	2	20x1x0.75
3.85.0022.121	TITAN SS Tower Diagonal #21 (section # 4)	\$13.31	2	20x1x0.75
3.85.0022.122	TITAN SS Tower Diagonal #22 (section # 4)	\$13.31	2	20x1x0.75
3.85.0022.123	TITAN SS Tower Diagonal #23 (section # 4)	\$13.31	2	21x1x0.75
3.85.0022.124	TITAN SS Tower Diagonal #24 (section # 4)	\$13.31	2	21x1x0.75
3.85.0022.125	TITAN SS Tower Diagonal #25 (section # 5)	\$13.31	2	22x1.25x1
3.85.0022.126	TITAN SS Tower Diagonal #26 (section # 5)	\$13.31	2	22x1.25x1
3.85.0022.127	TITAN SS Tower Diagonal #27 (section # 5)	\$13.31	2	23x1.25x1
3.85.0022.128	TITAN SS Tower Diagonal #28 (section # 5)	\$13.31	2	23x1.25x1
3.85.0022.129	TITAN SS Tower Diagonal #29 (section # 5)	\$13.31	2	24x1.25x1
3.85.0022.130	TITAN SS Tower Diagonal #30 (section # 5)	\$16.94	2	24x1.25x1
3.85.0022.131	TITAN SS Tower Diagonal #31 (section # 6)	\$16.94	2	24x1.25x1
3.85.0022.132	TITAN SS Tower Diagonal #32 (section # 6)	\$16.94	2	25x1.25x1
3.85.0022.133	TITAN SS Tower Diagonal #33 (section # 6)	\$16.94	2	25x1.25x1
3.85.0022.134	TITAN SS Tower Diagonal #34 (section # 6)	\$16.94	2	25x1.25x1
3.85.0022.135	TITAN SS Tower Diagonal #35 (section # 6)	\$16.94	2	26x1.25x1
3.85.0022.136	TITAN SS Tower Diagonal #36 (section # 6)	\$16.94	2	27x1.25x1
3.85.0022.137	TITAN SS Tower Diagonal #37 (section # 7)	\$16.94	2	27x1.25x1
3.85.0022.138	TITAN SS Tower Diagonal #38 (section # 7)	\$16.94	2	28x1.25x1
3.85.0022.139	TITAN SS Tower Diagonal #39 (section # 7)	\$16.94	2	28x1.25x1
3.85.0022.140	TITAN SS Tower Diagonal #40 (section # 7)	\$16.94	2	29x1.25x1
3.85.0022.141	TITAN SS Tower Diagonal #41 (section # 7)	\$16.94	2	29x1.25x1
3.85.0022.142	TITAN SS Tower Diagonal #42 (section # 7)	\$16.94	2	30x1.25x1
3.85.0022.143	TITAN SS Tower Diagonal #43 (section # 8)	\$16.94	2	30x1.25x1
3.85.0022.144	TITAN SS Tower Diagonal #44 (section # 8)	\$16.94	2	31x1.25x1
3.85.0022.145	TITAN SS Tower Diagonal #45 (section # 8)	\$16.94	2	31x1.25x1
3.85.0022.146	TITAN SS Tower Diagonal #46 (section # 8)	\$19.36	2	31x1.25x1
3.85.0022.147	TITAN SS Tower Diagonal #47 (section # 8)	\$19.36	2	32x1.25x1
3.85.0022.148	TITAN SS Tower Diagonal #48 (section # 8)	\$19.36	2	32x1.25x1
3.85.0022.149	TITAN SS Tower Diagonal #49 (section # 9)	\$19.36	3	33x1.5x1.25
3.85.0022.150	TITAN SS Tower Diagonal #50 (section # 9)	\$19.36	3	33x1.5x1.25
3.85.0022.151	TITAN SS Tower Diagonal #51 (section # 9)	\$19.36	3	34x1.5x1.25
3.85.0022.152	TITAN SS Tower Diagonal #52 (section # 9)	\$19.36	3	34x1.5x1.25
3.85.0022.153	TITAN SS Tower Diagonal #53 (section # 9)	\$19.36	3	35x1.5x1.25
3.85.0022.154	TITAN SS Tower Diagonal #54 (section # 9)	\$19.36	3	35x1.5x1.25
3.85.0022.155	TITAN SS Tower Diagonal #55 (section #10)	\$19.36	3	36x1.5x1.25
3.85.0022.156	TITAN SS Tower Diagonal #56 (section #10)	\$19.36	4	36x1.5x1.25
3.85.0022.157	TITAN SS Tower Diagonal #57 (section #10)	\$19.36	4	37x1.5x1.25
3.85.0022.158	TITAN SS Tower Diagonal #58 (section #10)	\$19.36	4	37x1.5x1.25
3.85.0022.159	TITAN SS Tower Diagonal #59 (section #10)	\$19.36	4	38x1.5x1.25



# Replacement Parts



<b>Diagonal Braces</b> (nuts and bolts sold separately, always replace nuts when replacing braces, do not re-use)					
Part Number	Description	List Price	Ship Wt. (lbs)	Ship LxWxH (in)	Image
3.85.0022.160	TITAN SS Tower Diagonal #60 (section #10)	\$19.36	4	38x1.5x1.25	See page 22.
3.85.0022.161	TITAN SS Tower Diagonal #61 (section #11)	\$19.36	4	38x1.75x1.25	
3.85.0022.162	TITAN SS Tower Diagonal #62 (section #11)	\$19.36	4	38x1.75x1.25	
3.85.0022.163	TITAN SS Tower Diagonal #63 (section #11)	\$22.99	4	39x1.75x1.25	
3.85.0022.164	TITAN SS Tower Diagonal #64 (section #11)	\$22.99	4	39x1.75x1.25	
3.85.0022.165	TITAN SS Tower Diagonal #65 (section #11)	\$22.99	4	40x1.75x1.25	
3.85.0022.166	TITAN SS Tower Diagonal #66 (section #11)	\$22.99	4	40x1.75x1.25	
3.85.0022.167	TITAN SS Tower Diagonal #67 (section #12)	\$22.99	4	41x1.75x1.25	
3.85.0022.168	TITAN SS Tower Diagonal #68 (section #12)	\$22.99	5	41x1.75x1.25	
3.85.0022.169	TITAN SS Tower Diagonal #69 (section #12)	\$22.99	5	42x1.75x1.25	
3.85.0022.170	TITAN SS Tower Diagonal #70 (section #12)	\$22.99	5	42x1.75x1.25	
3.85.0022.171	TITAN SS Tower Diagonal #71 (section #12)	\$22.99	5	43x1.75x1.25	
3.85.0022.172	TITAN SS Tower Diagonal #72 (section #12)	\$22.99	5	43x1.75x1.25	
3.85.0022.173	TITAN SS Tower Diagonal #73 (section #13)	\$22.99	5	46x2x2	
3.85.0022.174	TITAN SS Tower Diagonal #74 (section #13)	\$22.99	5	46x2x2	
3.85.0022.175	TITAN SS Tower Diagonal #75 (section #13)	\$22.99	5	46x2x2	
3.85.0022.176	TITAN SS Tower Diagonal #76 (section #13)	\$22.99	5	47x2x2	
3.85.0022.177	TITAN SS Tower Diagonal #77 (section #13)	\$22.99	5	47x2x2	
3.85.0022.178	TITAN SS Tower Diagonal #78 (section #13)	\$22.99	5	48x2x2	

<b>Replacement Nuts and Washers for Diagonal Braces</b> (minimum order: 200 pieces)					
Part Number	Description	List Price	Ship Wt. (lbs)	Ship LxWxH (in)	Image
1205020	1/4" Kep Nut and Integral Washer	\$0.20	0.01	8x8x8	
1205040	5/16" Kep Nut and Integral Washer	\$0.20	0.01	8x8x8	
1205060	3/8" Kep Nut and Integral Washer	\$0.45	0.02	8x8x8	

<b>Replacement Bolts for Diagonal Braces</b> (minimum order: 200 pieces)					
Part Number	Description	List Price	Ship Wt. (lbs)	Ship LxWxH (in)	Image
1205010	1/4" x 1/2" Bolt for braces - fits # 7-48	\$0.20	0.02	12x12x12	
1205011	1/4" x 3/4" Bolt for braces/angle frames	\$0.24	0.02	12x12x12	
1205030	5/16" x 3/4" Bolt for braces - fits #49-72	\$0.25	0.02	12x12x12	
1205050	3/8" x 3/4" Bolt for braces - fits #73-78	\$0.39	0.03	12x12x12	

## Replacement Tower Legs (hardware sold separately; UPS shippable)

Part Number	Description	List Price	Ship Wt. (lbs)	Ship LxWxH (in)	Image
3.85.0021.002	TITAN SS Tower Leg # 2	<b>\$24.15</b>	7	96x2.3x1.7	
3.85.0021.003	TITAN SS Tower Leg # 3	<b>\$28.08</b>	8	96x2.3x1.7	
3.85.0021.004	TITAN SS Tower Leg # 4	<b>\$34.38</b>	10	96x2.9x2	
3.85.0021.005	TITAN SS Tower Leg # 5	<b>\$36.56</b>	10	96x3x2.2	
3.85.0021.006	TITAN SS Tower Leg # 6	<b>\$47.31</b>	15	96x3x2.2	
3.85.0021.007	TITAN SS Tower Leg # 7	<b>\$51.82</b>	16	96x3.6x2.5	
3.85.0021.008	TITAN SS Tower Leg # 8	<b>\$58.09</b>	18	96x3.9x2.8	
3.85.0021.009	TITAN SS Tower Leg # 9	<b>\$60.46</b>	20	96x4.3x3	
3.85.0021.010	TITAN SS Tower Leg #10	<b>\$85.99</b>	26	96x4.6x3.25	
3.85.0021.011	TITAN SS Tower Leg #11	<b>\$94.55</b>	28	96x5x3.5	
3.85.0021.012	TITAN SS Tower Leg #12	<b>\$95.24</b>	29	96x5.3x3.75	
3.85.0021.013	TITAN SS Tower Leg #13	<b>\$116.72</b>	36	96x5.7x4	

## Splice Bolt Kits (for attaching tower sections together)

Part Number	Description	List Price	Ship Wt. (lbs)	Ship LxWxH (in)	Image
4.78.0212.000	For connecting sections # 2 to # 3	<b>\$20.00</b>	0.4	6x4x2	
4.78.0211.000	For connecting sections # 3 to # 4	<b>\$20.00</b>	0.4	6x4x2	
4.78.0210.000	For connecting sections # 4 to # 5	<b>\$20.00</b>	0.4	6x4x2	
4.78.0209.000	For connecting sections # 5 to # 6	<b>\$20.00</b>	0.4	6x4x2	
4.78.0208.000	For connecting sections # 6 to # 7	<b>\$20.00</b>	0.4	6x4x2	
4.78.0207.000	For connecting sections # 7 to # 8	<b>\$27.00</b>	1.0	6x4x2	
4.78.0206.000	For connecting sections # 8 to # 9	<b>\$27.00</b>	1.0	6x4x2	
4.78.0205.000	For connecting sections # 9 to #10	<b>\$27.00</b>	1.2	6x4x2	
4.78.0204.000	For connecting sections #10 to #11	<b>\$27.00</b>	1.2	6x4x2	
4.78.0203.000	For connecting sections #11 to #12	<b>\$40.00</b>	4.2	6x4x2	
4.78.0202.000	For connecting sections #12 to #13	<b>\$32.00</b>	4.2	6x4x2	
4.78.0201.000	For connecting sections #13 to Anchor Stub Leg #14	<b>\$52.00</b>	4.2	6x4x2	
4.78.0202.200	Complete Splice Kit for 96' T200	<b>\$146.00</b>	19	16x16x12	



# Concrete Foundation Details



(Normal dry soil)

How to use this page:

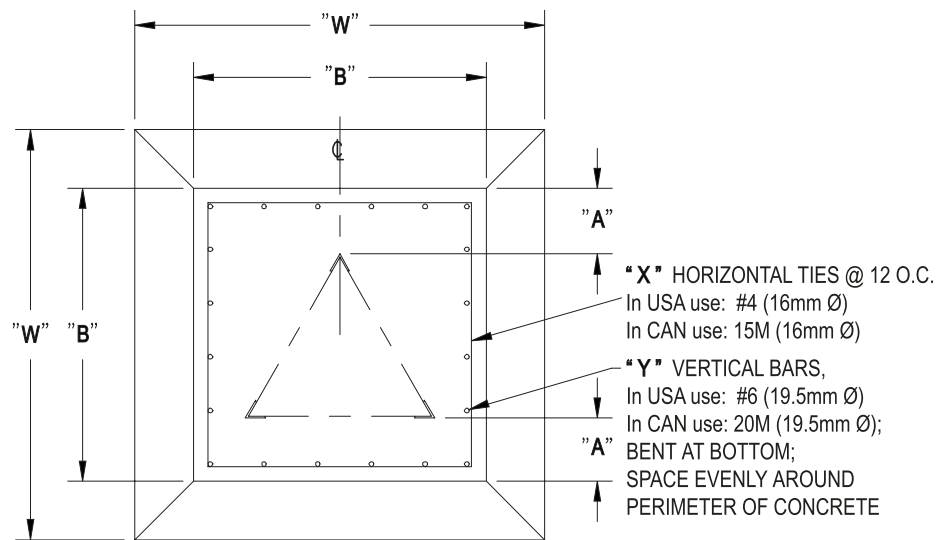
1. Determine what section number is at the bottom of your specific tower model.
2. Using "Chart A", find the anchor type that corresponds to the bottom section of your tower.
3. Using "Chart B", find dimensions that match your anchor type.

Chart A

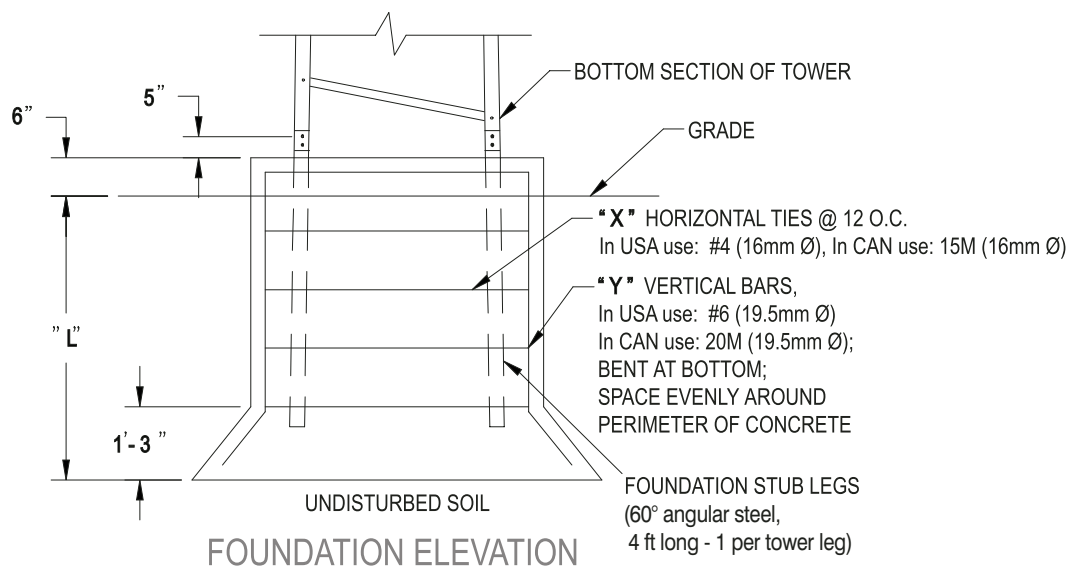
If Bottom Tower Section Is:	Use Anchor Type from Chart B
#3	1
#4	1
#5	1
#6	1
#7	2
#8	2
#9	3
#10	3
#11	3
#12	3
#13	4

Chart B

ANCHOR TYPE	"B" (FEET)	"W" (FEET)	"L" (FEET)	"X" HORIZONTAL REINFORCING	"Y" VERTICAL REINFORCING	OVERTURNING MOMENT (FT. KIPS)	SHEAR (KIPS)	CONCRETE VOLUME CUBIC YARDS
1	3	4	4	4	16	17	0.7	2.0
2	4	5	5	5	20	28	1.0	4.0
3	5	7	5	5	20	67	1.7	6.0
4	5.5	7.5	5.5	6	24	105	3.0	7.0



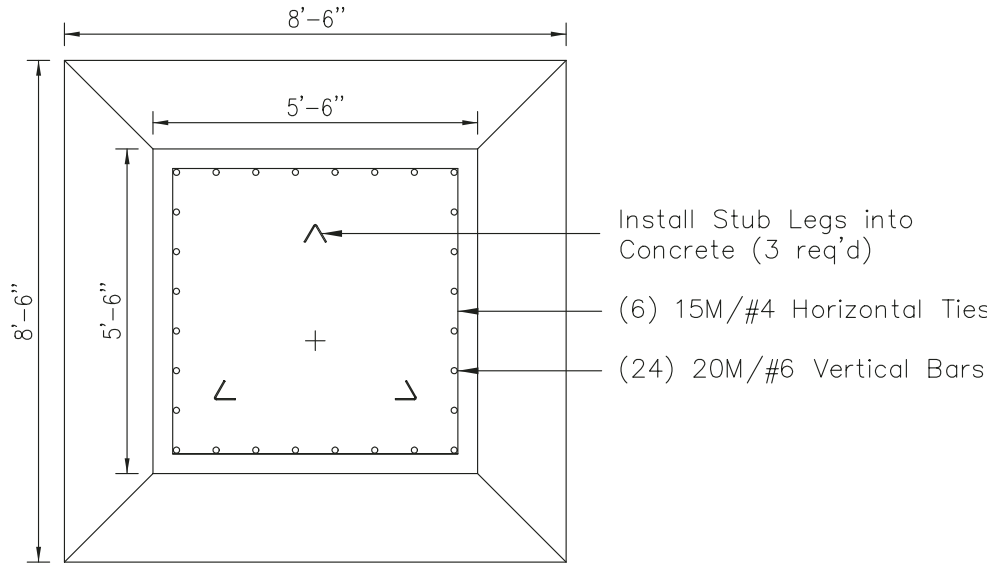
FOUNDATION PLAN



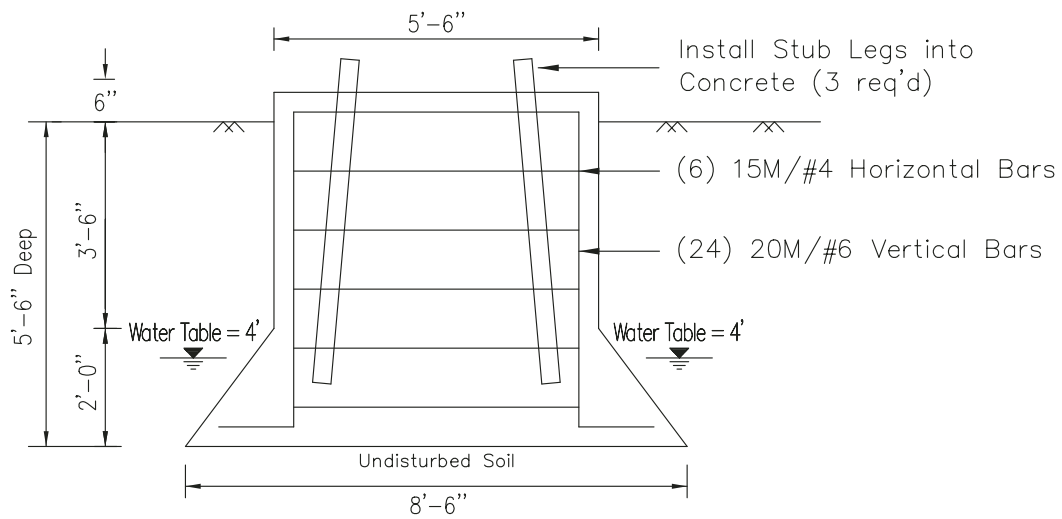
FOUNDATION ELEVATION

(For applications with weak soil or shallow water table)

PLAN VIEW



ELEV VIEW



Overturning Moment	= 105 k-ft
Horizontal Shear	= 3.0 kips

Notes:

- Assumed Soil Parameters:
  - Allowable Soil Capacity = 2.0 ksf\*
  - Water table at 4' depth below surface\*
  - Dry density of 100 pcf
  - K<sub>p</sub> - K<sub>a</sub> = 2.7
  - Friction angle of 30°
- This drawing illustrates a foundation for TITAN SS Towers using bottom section #13.