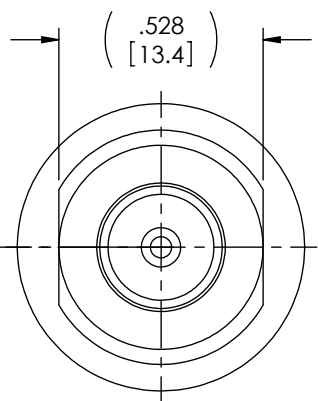
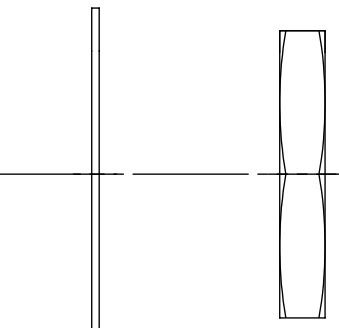
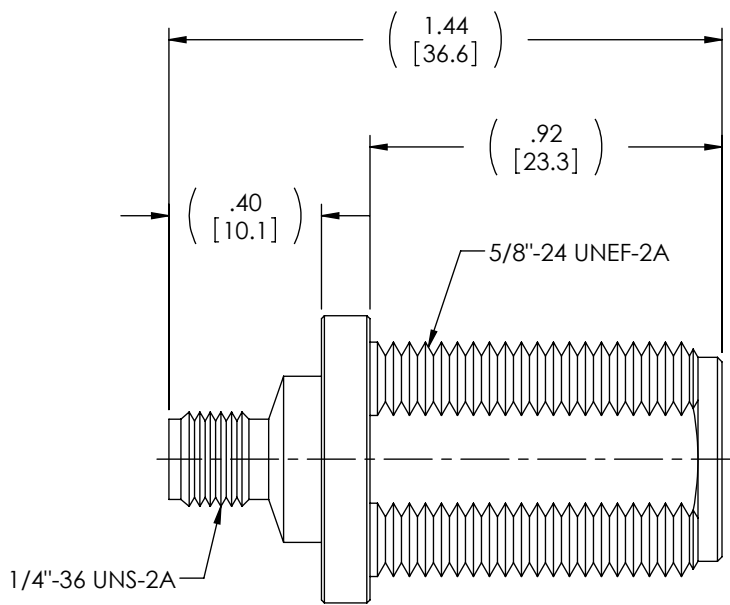
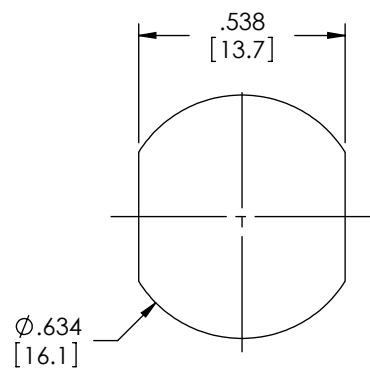


THE INFORMATION CONTAINED IN THIS DRAWING IS THE SOLE PROPERTY OF L-COM, INC. ANY REPRODUCTION IN PART OR WHOLE WITHOUT THE WRITTEN PERMISSION OF L-COM, INC. IS PROHIBITED.

REVISIONS			
REV	DESCRIPTION	DATE	APPROVED
A	INITIAL RELEASE	6/29/10	D.GRIFFIN

DESCRIPTION	MATERIAL	FINISH
BODY	BRASS	NICKEL
DIELECTRIC	TEFLON	-
CENTER PIN	BRASS	GOLD
LOCK WASHER	BRASS	NICKEL
NUT	BRASS	NICKEL



BODY LOCK WASHER NUT

NOTES:

ELECTRICAL:
 IMPEDANCE: 50 OHMS
 FREQUENCY RANGE: DC ~ 6 GHz
 VOLTAGE RATING: 500 VOLTS PEAK
 WITHSTAND VOLTAGE: 1000V
 INSERTION LOSS: .15 dB MAX

MISCELLANEOUS:
 COMPONENT SHALL BE INDIVIDUALLY PACKAGED IN ACCORDANCE WITH L-COM SPEC. PS-0031.

ALL DIMENSIONS ARE FOR REFERENCE ONLY.

RoHS Compliant ✓

UNLESS OTHERWISE SPECIFIED, DIMENSIONS ARE IN INCHES [mm] OVERALL CABLE LENGTH TOLERANCE: ≤12 [305] = +1 [25] / -0 >12 [305] ≤60 [1524] = +2 [51] / -0 >60 [1524] ≤120 [3048] = +4 [102] / -0 >120 [3048] ≤300 [7620] = +6 [152] / -0 >300 [7620] = +3% / -0%	APPROVALS	DATE	L-com Global Connectivity 45 BEECHWOOD DRIVE NORTH ANDOVER, MA 01845
	DRAWN BY D. CASTRO	6/29/10	
ALL OTHER DIMENSIONAL TOLERANCES: .X = ±.2 .XX = ±.02 .XXX = ±.005	CHECKED BY K. BURGNER	6/29/10	CATEGORY COAXIAL
	APPROVED BY K. BURGNER	6/29/10	PRODUCT DESCRIPTION ADP,RP-SMA JACK/N-FEMALE BLKHD
PROJECTION 	CONFIGURATION DETAILS OF UNDIMENSIONED FEATURES MAY VARY	COLOR VARIATIONS MAY OCCUR	SIZE A FSCM NO. 43321 DWG. NO. AXA-RSJNFB REV. A
SCALE: NONE		CAD FILE: AXA-RSJNFB.SLDDRW	SHEET 1 OF 1