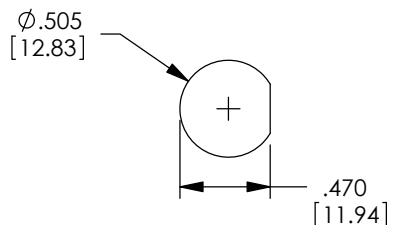
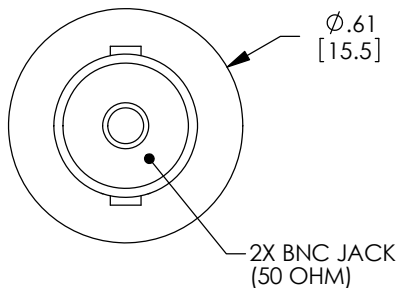


THE INFORMATION CONTAINED IN THIS DRAWING IS THE SOLE PROPERTY OF L-COM, INC. ANY REPRODUCTION IN PART OR WHOLE WITHOUT THE WRITTEN PERMISSION OF L-COM, INC. IS PROHIBITED.

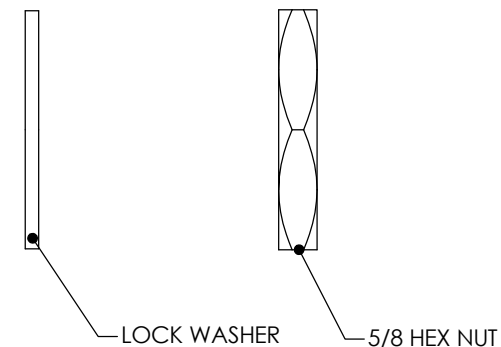
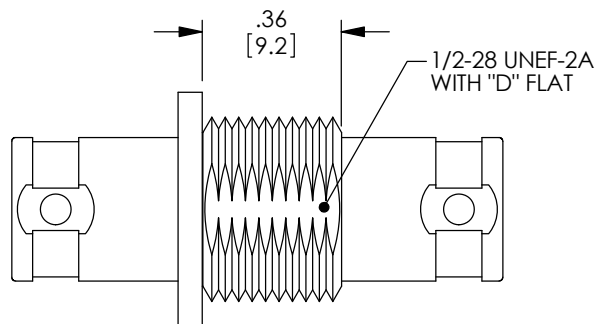
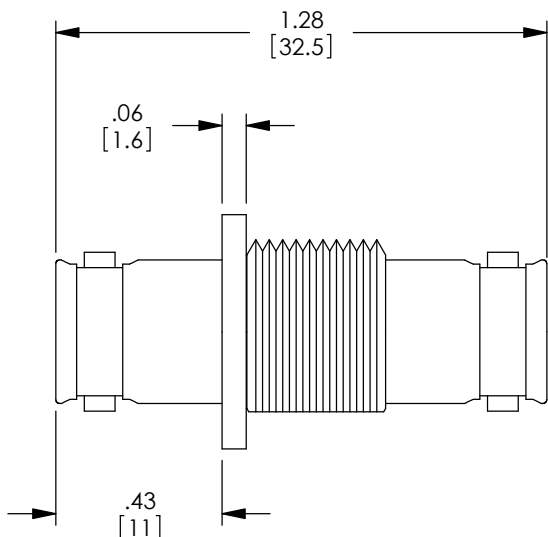
REVISIONS			
REV	DESCRIPTION	DATE	APPROVED
E	ECN 7469: CHANGE WASHER MATERIAL FROM BRASS TO STEEL	6/4/14	D.FRISIELLO

DESCRIPTION	MATERIAL	FINISH
BODY	BRASS	NICKEL PLATE
INSULATOR	ACETAL	WHITE
CENTER PIN	BRASS	GOLD PLATE
WASHER	STEEL	NICKEL PLATE
NUT	BRASS	NICKEL PLATE

⚠



RECOMMENDED  
PANEL OPENING



**NOTES:**

ALL DIMENSIONS ARE FOR REFERENCE ONLY.

COMPONENT SHALL BE INDIVIDUALLY PACKAGED IN ACCORDANCE WITH L-COM SPECIFICATION PS-0031.

**REGULATORY COMPLIANCE:**  
CE2011/65/EU(RoHS DIRECTIVE)

UNLESS OTHERWISE SPECIFIED, DIMENSIONS ARE IN INCHES [mm] OVERALL CABLE LENGTH TOLERANCE: ≤12 [305] = +1 [25] / -0 >12 [305] ≤60 [1524] = +2 [51] / -0 >60 [1524] ≤120 [3048] = +4 [102] / -0 >120 [3048] ≤300 [7620] = +6 [152] / -0 >300 [7620] = +5% / -0% ALL OTHER DIMENSIONAL TOLERANCES: .X = ±.2 [5.08] .XX = ±.02 [51] .XXX = ±.005 [1.27]	APPROVALS DRAWN BY MCCORMICK CHECKED BY D.PARHAM APPROVED BY R.CARRICK	DATE 05/01/01 05/10/01 05/10/01	45 BEECHWOOD DRIVE NORTH ANDOVER, MA 01845
	CONFIGURATION DETAILS OF UNDIMENSIONED FEATURES MAY VARY		
PROJECTION 	COLOR VARIATIONS MAY OCCUR	SIZE <b>A</b>	FSCM NO. <b>43321</b>
1A805-108	SCALE: NONE	DWG. NO. <b>BA1087</b>	REV. <b>E</b>
CAD FILE: BA1087.SLDDRW		SHEET 1 OF 1	