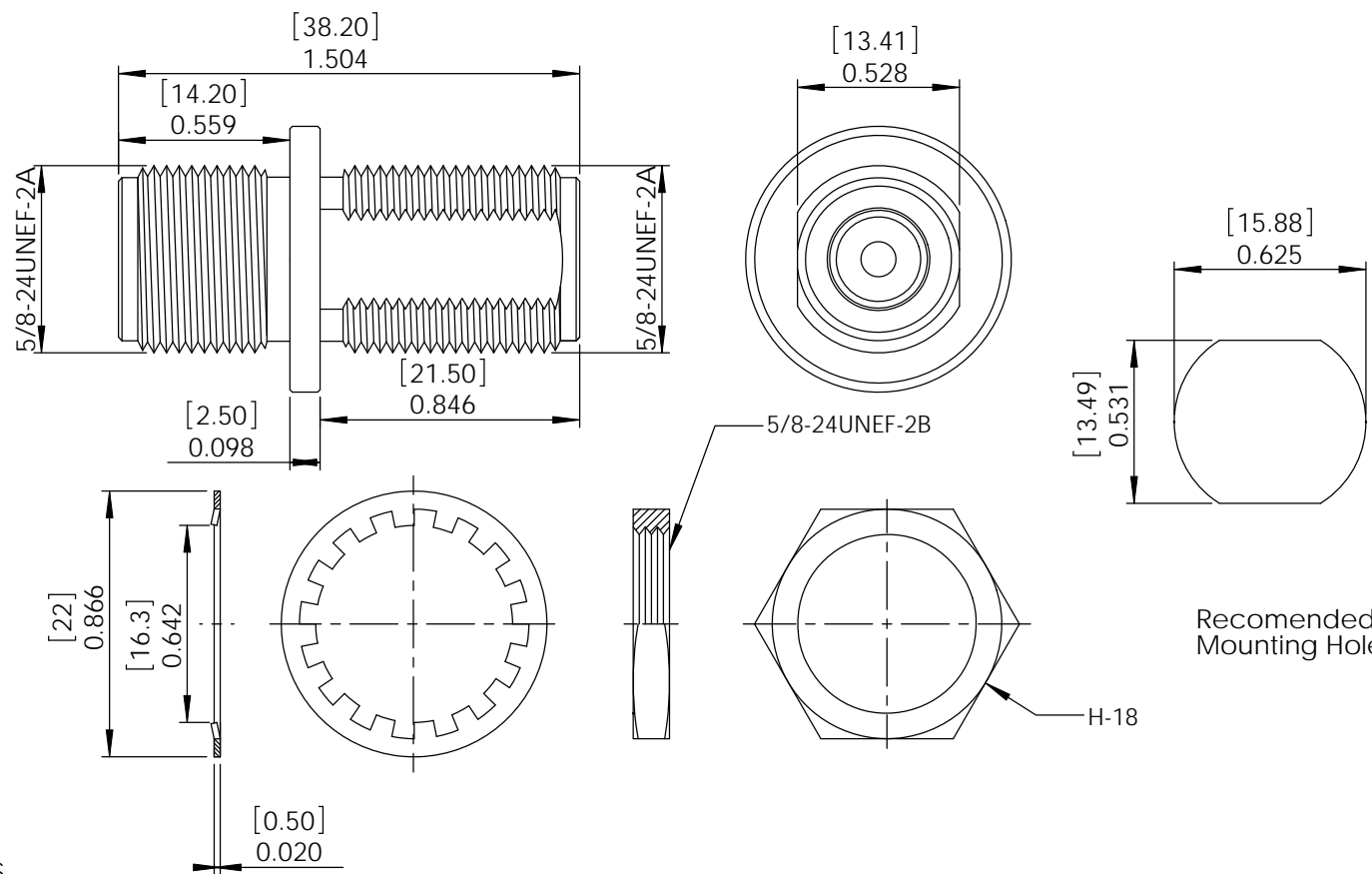


THE INFORMATION CONTAINED IN THIS DRAWING IS THE SOLE PROPERTY OF L-COM, INC. ANY REPRODUCTION IN PART OR WHOLE WITHOUT THE WRITTEN PERMISSION OF L-COM, INC. IS PROHIBITED.

REVISIONS			
REV	DESCRIPTION	DATE	APPROVED
A	Initial Release	05/08/03	P.Pesa
B	Updated Body Dims. ECN#4286	09/25/09	B Puchaski
C	Updated Format and Text ECN#4355	11/05/09	B Puchaski

DESCRIPTION	MATERIAL	FINISH
CENTER CONTACTS	BRASS	GOLD
OUTER CONTACT	BRASS	NICKEL
INSULTOR	TEFLON	---
LOCK WASHER	BRASS	NICKEL
NUT	BRASS	NICKEL



NOTES:

ELECTRICAL:

IMPEDENCE: 50 OHMS
 WITHSTAND VOLTAGE: 1500V
 FREQUENCY RANGE: 0~11 GHz
 INSERTION LOSS: .15 dB Max.

MISCELLANEOUS:

COMPONENTS SHALL BE INDIVIDUALLY PACKAGED IN ACCORDANCE WITH L-COM SPECIFICATIONS PS-0031.

ALL DIMENSIONS ARE FOR REFERENCE ONLY.

UNLESS OTHERWISE SPECIFIED, DIMENSIONS ARE IN INCHES [mm] DIMENSIONAL TOLERANCES: .X = ±.1 .XX = ±.01 .XXX = ±.005 ANGULAR TOLERANCES: ALL = ± 1° PROJECTION	APPROVALS	DATE		45 BEECHWOOD DRIVE NORTH ANDOVER, MA 01845	
	DRAWN BY B.Puchaski	09/25/09			
	CHECKED BY M.Audas	09/25/09	CATEGORY	CONNECTOR	
	APPROVED BY M.Audas	09/25/09	PRODUCT DESCRIPTION		Adapter: N-Female to N-Female Bulkhead for 1/8" [3.25mm] Chasis
CONFIGURATION DETAILS OF UNDIMENSIONED FEATURES MAY VARY	COLOR VARIATIONS MAY OCCUR	SIZE A	FSCM NO. 43321	DWG. NO. AXA-NFNFB	REV. C
SCALE: NONE		CAD FILE: AXA-NFNFB.SLDDRW		SHEET 1 OF 1	