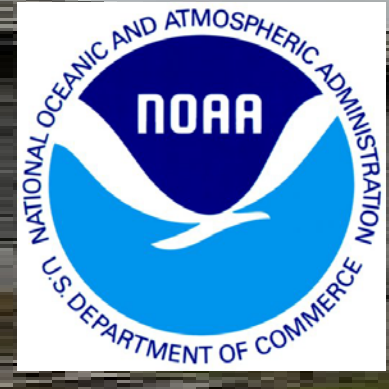


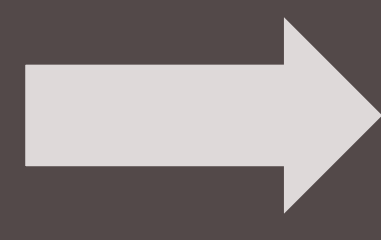
NOAA Contacts
 Project Lead: Taneil Uttal
 taneil.uttal@noaa.gov
 Engineer: Robert Albee
 rob.albee@noaa.gov
 Logistics: Matt Okraszewski
 matt.okraszewski@noaa.gov
 Data Manager: Sara Crepinsek
 sara.crepinsek@noaa.gov



Datagrams: Tiksi so2



Roshydromet Contacts
 Project Lead: Alexander Makshtas
 maksh@aari.ru
 Engineer: Vasilii Kustov
 kustov@aari.ru
 Logistics: Dmitry Apartsev
 da@aari.ru
 Data Manager: Tatiana Afanasyeva
 tiksi_center@aari.ru



10.31.112.109

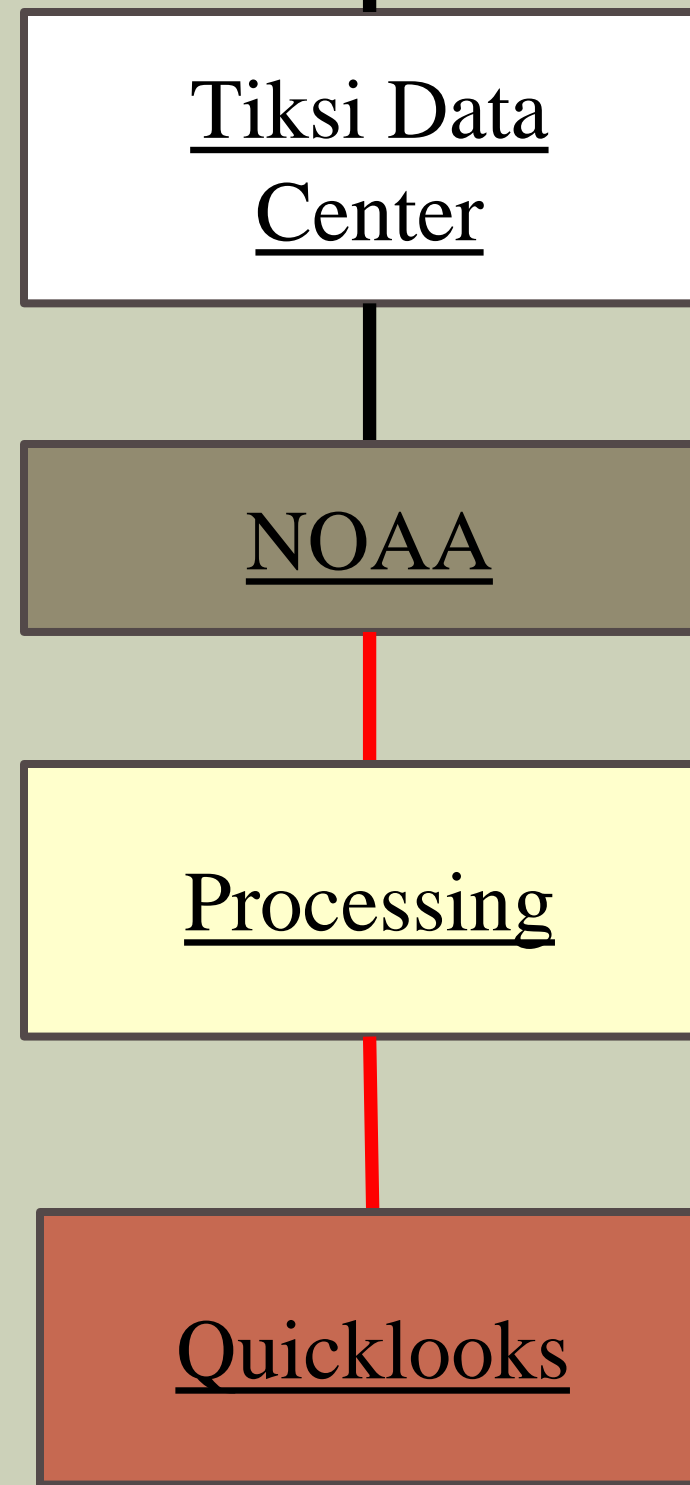
Location: Clean Air Facility Central Room
 File name: tiksi_thermoSO2_YYYYMMDD.csv
 File location in Tiksi:

Date and time YYYY-MM-DD HH:MM:SS	SO2 concentration (ppb)	Status flags	Photomultiplier tube voltage (V)	Lamp voltage (V)	Lamp intensity (V)	Internal temperature (°C)	Reaction chamber temperature (°C)	Sample flowrate (lpm)	Atmospheric pressure (mmHg)	SO2 background (ppb)	SO2 coefficient
2013-07-08 00:00:00	3071E-4	5C000000	-0724	0930	11331	027.5	045.3	0.393	727.2	01.19	0.508
2013-07-08 00:01:00	2364E-4	5C000000	-0724	0930	11290	027.5	045.3	0.394	727.1	01.19	0.508
2013-07-08 00:02:00	1491E-4	5C000000	-0724	0931	11317	027.5	045.3	0.394	727.2	01.19	0.508

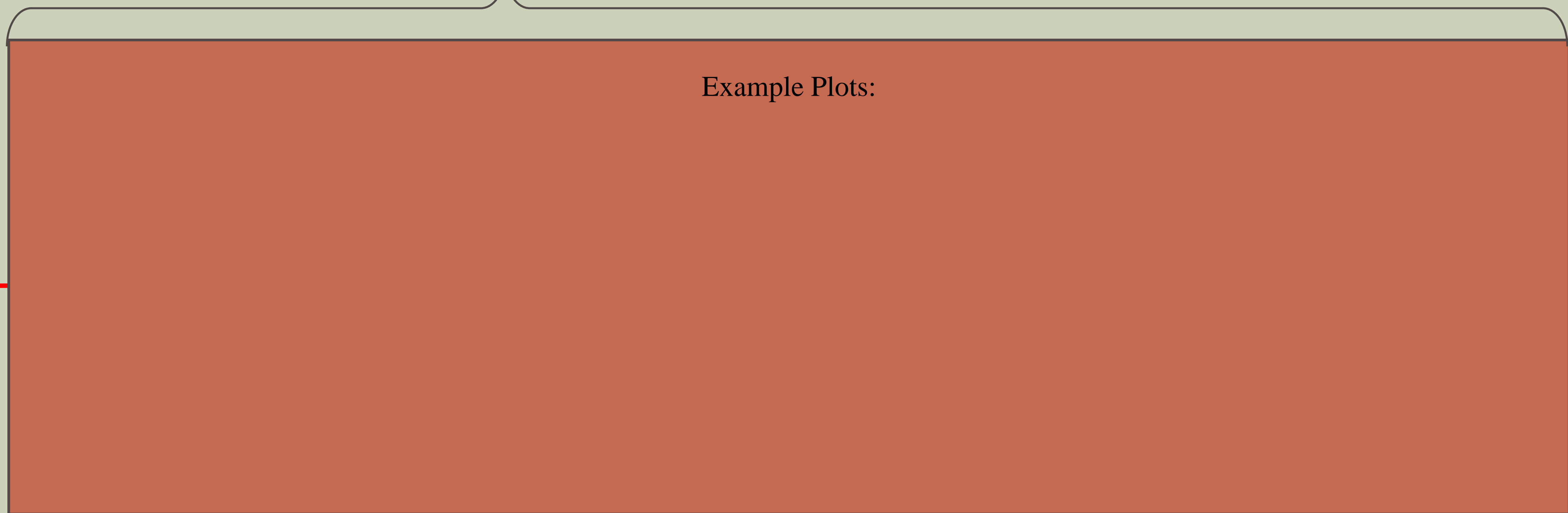
Data Diagnostics Logger Info

Instrument:

Thermo Scientific SO2 Analyzer,
 model 43c



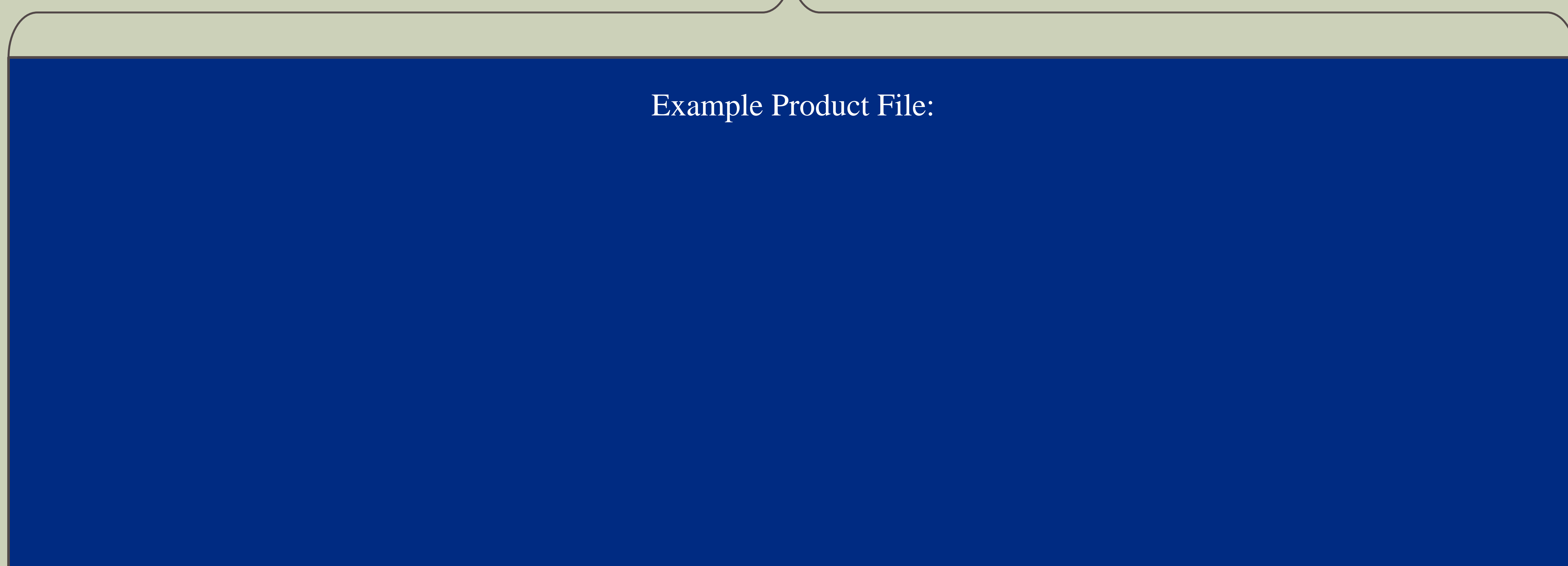
FTP File locations at NOAA:
 From Tiksi Data Center to:
<ftp://ftp.etl.noaa.gov/psd3/arctic/tiksi/aerosol/so2/Incoming/>
 then transferred to:
<ftp://ftp.etl.noaa.gov/psd3/arctic/tiksi/aerosol/so2/raw/YYYY/>



Folder Name	File Name	FTP Location
Raw	tiksi_thermoso2_YYYYMMDD.csv	ftp://ftp.etl.noaa.gov/psd3/arctic/tiksi/aerosol/so2/raw/
Ingest		ftp://ftp.etl.noaa.gov/psd3/arctic/tiksi/aerosol/so2/ingest/
Products		ftp://ftp.etl.noaa.gov/psd3/arctic/tiksi/aerosol/so2/products/
Quicklooks		ftp://ftp.etl.noaa.gov/psd3/arctic/tiksi/aerosol/so2/quicklooks/
Example:		ftp://ftp.etl.noaa.gov/psd3/arctic/tiksi/aerosol/so2/products/

Standardized Data Format:
 Definitions:
 sss - site identifier (e.g., tik)
 inst - base instrument abbreviation
 Fn - facility abbreviation (e.g., caf[0:1],
 cow[0:1], twr[0:1])
 data qualifier – daily or monthly
 data processing level - raw=c1,
 ingest=c2, products=c3

Product



IASOA Portal

Home:
<http://www.esrl.noaa.gov/psd/iasoa/>
Data:
<http://www.esrl.noaa.gov/psd/iasoa/dataataglance>